

3

Części znormalizowane do form
Standard elements for molds














Spis treści

Table of contents

SPIS TREŚCI

Table of contents

3.7	Rdzeń formujący <i>Core pin</i>		CPM
3.10	Wypychacz hartowany <i>Ejector pin hardened</i>		WH
3.12	Wypychacz azotowany <i>Ejector pin nitrided</i>		EM
3.14	Wypychacz tulejowy hartowany <i>Ejector sleeve hardened</i>		WHT
3.16	Wypychacz tulejowy azotowany <i>Ejector sleeve nitrided</i>		EMT
3.18	Wypychacz odsadzany azotowany <i>Step pin nitrided</i>		ESM
3.20	Wypychacz odsadzany hartowany <i>Step pin hardened</i>		OH
3.20	Wypychacz płaski hartowany <i>Flat ejector pin hardened</i>		OHP
3.21	Wypychacz płaski azotowany <i>Flat ejector pin nitrided</i>		ESP
3.22	Słup prowadzący <i>Leader pin</i>		SLE
3.30	Słup prowadzący <i>Leader pin</i>		SXE

Spis treści

Table of contents

3.39	Tuleja prowadząca <i>Leader pin bushing</i>		TPE
3.41	Tuleja prowadząca <i>Leader pin bushing</i>		TXE
3.43	Tuleja prowadząca samosmarująca <i>Self-lubricating guide bushing</i>		TPG
3.45	Tuleja prowadząca samosmarująca <i>Self-lubricating guide bushing</i>		TXG
3.47	Tuleja ustalająca <i>Locating sleeve</i>		TUE
3.49	Nóżka <i>Support bolt</i>		NF
3.50	Słup skośny <i>Angle pin</i>		SS
3.52	Słup skośny z łbem stożkowym <i>Angle pin with tapered head</i>		SSK
3.54	Prowadzenie płyty wypychaczy <i>Ejection system</i>		
3.54	Słup prowadzący płyty wypychaczy <i>Ejector plate leader pin</i>		SPW
3.55	Słup prowadzący płyty wypychaczy <i>Ejector plate leader pin</i>		KPE

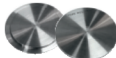
Spis treści

Table of contents

3.55	Tuleja prowadząca płyty wypychaczy <i>Ejector plate guide bushing</i>		TBW
3.56	Tuleja prowadząca płyty wypychaczy – samosmarująca <i>Self-lubricating ejector plate guide bushing</i>		TGW
3.56	Koszyk kulkowy <i>Ball bearing cage</i>		KKW
3.57	Tuleja płyty wypychaczy – do prowadzenia kulkowego <i>Ejector plate guide bushing – for ball bearing</i>		TKW
3.58	Tuleja z rotacyjnym systemem kulkowym <i>Recirculating ball bushing</i>		DKA
3.59	Płytki samosmarujące <i>Wear plate self-lubricating</i>		PFA, PFB
3.60	Podkładka oporowa <i>Support washer</i>		PO
3.60	Podkładka oporowa <i>Support washer</i>		POA
3.61	Sworzeń płyty wypychaczy <i>Ejector rod</i>		KWH
3.63	Sworzeń płyty wypychaczy <i>Threaded insert for ejector plate</i>		SGW
3.64	Tuleja prowadząca <i>Tube dowel</i>		TPZ

Spis treści

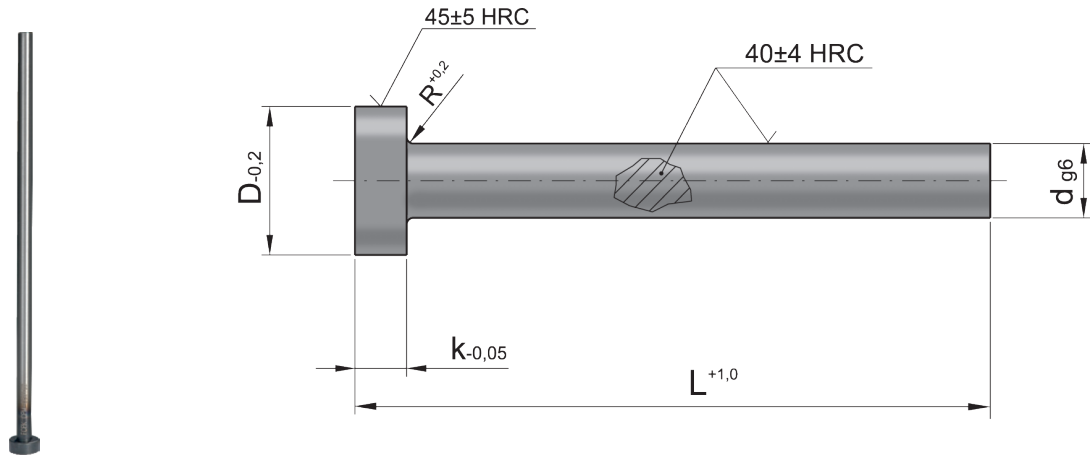
Table of contents

3.66	Tulejowy zabierak wlewka <i>Sprue pullers bushing</i>		TZW
3.67	Tuleja wtryskowa <i>Sprue bushing</i>		TWA
3.68	Tuleja wtryskowa <i>Sprue bushing</i>		TWB
3.69	Tuleja wtryskowa <i>Sprue bushing</i>		TWC
3.70	Tuleja wtryskowa <i>Sprue bushing</i>		TWD
3.72	Pierścień centrujący <i>Locating ring</i>		PCA
3.75	Pierścień centrujący <i>Locating ring</i>		PCB
3.78	Pierścień centrujący <i>Locating ring</i>		PCC

Rdzeń formujący

Core pin

CPM



Mat:
Stal narzędziowa do pracy na gorąco
Hot working tool steel
500-550°C

d	D	k	R	NR KAT.				
				L				
				100	125	160	200	250
1	2,5	1,2	0,2	CPM-010100		CPM-010160		
1,5	3	1,5		CPM-015100	CPM-015125	CPM-015160	CPM-015200	
2	4	2		CPM-020100	CPM-020125	CPM-020160	CPM-020200	CPM-020250
2,2				CPM-022100	CPM-022125	CPM-022160	CPM-022200	CPM-022250
2,5	5		CPM-025100	CPM-025125	CPM-025160	CPM-025200	CPM-025250	
2,7			CPM-027100	CPM-027125	CPM-027160	CPM-027200	CPM-027250	
3	6	3	0,3	CPM-030100	CPM-030125	CPM-030160	CPM-030200	CPM-030250
3,2				CPM-032100	CPM-032125	CPM-032160	CPM-032200	CPM-032250
3,5	7			CPM-035100	CPM-035125	CPM-035160	CPM-035200	CPM-035250
3,7				CPM-037100	CPM-037125	CPM-037160	CPM-037200	CPM-037250
4	8	CPM-040100		CPM-040125	CPM-040160	CPM-040200	CPM-040250	
4,2		CPM-042100		CPM-042125	CPM-042160	CPM-042200	CPM-042250	
4,5		CPM-045100		CPM-045125	CPM-045160	CPM-045200	CPM-045250	
5		10		CPM-050100	CPM-050125	CPM-050160	CPM-050200	CPM-050250
5,2	CPM-052100			CPM-052125	CPM-052160	CPM-052200	CPM-052250	
5,5	CPM-055100			CPM-055125	CPM-055160	CPM-055200	CPM-055250	
6	12	5	0,5	CPM-060100	CPM-060125	CPM-060160	CPM-060200	CPM-060250
6,2				CPM-062100	CPM-062125	CPM-062160	CPM-062200	CPM-062250
6,5				CPM-065100	CPM-065125	CPM-065160	CPM-065200	CPM-065250
7				CPM-070100	CPM-070125	CPM-070160	CPM-070200	CPM-070250
7,5				CPM-075100	CPM-075125	CPM-075160	CPM-075200	CPM-075250

Rdzeń formujący

Core pin

CPM

d	D	k	R	NR KAT.				
				L				
				100	125	160	200	250
8	14	5	0,5	CPM-080100	CPM-080125	CPM-080160	CPM-080200	CPM-080250
8,2				CPM-082100	CPM-082125	CPM-082160	CPM-082200	CPM-082250
8,5				CPM-085100	CPM-085125	CPM-085160	CPM-085200	CPM-085250
9				CPM-090100	CPM-090125	CPM-090160	CPM-090200	CPM-090250
9,5				CPM-095100	CPM-095125	CPM-095160	CPM-095200	CPM-095250
10	16	5	0,5	CPM-100100	CPM-100125	CPM-100160	CPM-100200	CPM-100250
10,2				CPM-102100	CPM-102125	CPM-102160	CPM-102200	CPM-102250
10,5				CPM-105100	CPM-105125	CPM-105160	CPM-105200	CPM-105250
11				CPM-110100	CPM-110125	CPM-110160	CPM-110200	CPM-110250
12	18	7	0,8	CPM-120100	CPM-120125	CPM-120160	CPM-120200	CPM-120250
12,2				CPM-122100	CPM-122125	CPM-122160	CPM-122200	CPM-122250
12,5				CPM-125100	CPM-125125	CPM-125160	CPM-125200	CPM-125250
14	22	7	0,8	CPM-140100	CPM-140125	CPM-140160	CPM-140200	CPM-140250
16				CPM-160100	CPM-160125	CPM-160160	CPM-160200	CPM-160250
18	24	8	1	CPM-180100	CPM-180125	CPM-180160	CPM-180200	CPM-180250
20	26			CPM-200100	CPM-200125	CPM-200160	CPM-200200	CPM-200250
25	32					CPM-250160	CPM-250200	CPM-250250
32	40	10	1			CPM-320160	CPM-320200	CPM-320250

Rdzeń formujący

Core pin

CPM

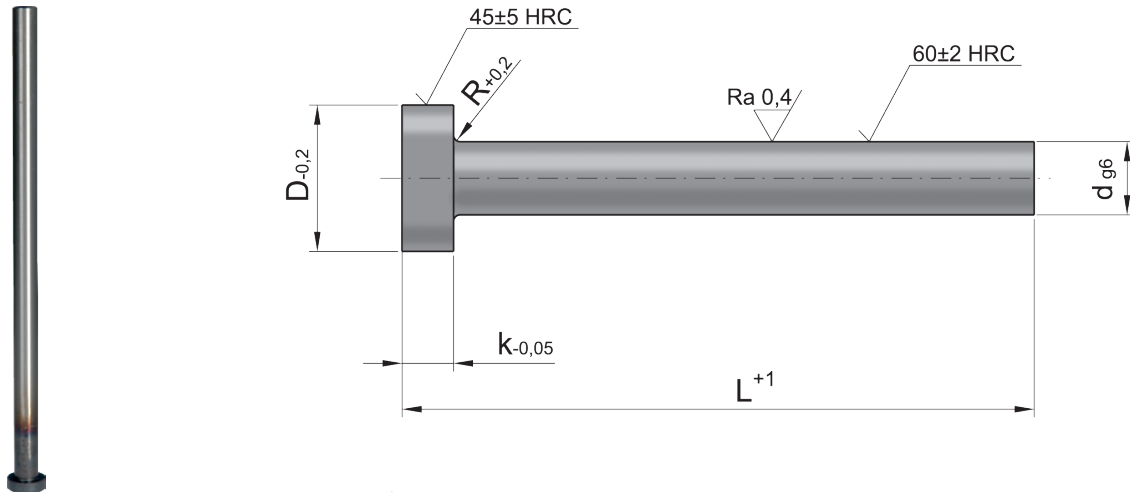
d	D	k	R	NR KAT.							
				L							
				315	400	500	630	800	1000		
1	2,5	1,2	0,2								
1,5	3	1,5									
2	4	2									
2,2											
2,5	5										
2,7											
3	6		3	0,3	CPM-030315	CPM-030400	CPM-030500				
3,2						CPM-032315	CPM-032400				
3,5	7				CPM-035315	CPM-035400					
3,7					CPM-037315	CPM-037400					
4	8				CPM-040315	CPM-040400	CPM-040500				
4,2					CPM-042315	CPM-042400	CPM-042500	CPM-042630			
4,5					CPM-045315	CPM-045400					
5		10				CPM-050315	CPM-050400	CPM-050500	CPM-050630	CPM-050800	
5,2						CPM-052315	CPM-052400	CPM-052500	CPM-052630		
5,5					CPM-055315	CPM-055400	CPM-055500	CPM-055630			
6	12	5		0,5	CPM-060315	CPM-060400	CPM-060500	CPM-060630	CPM-060800	CPM-0601000	
6,2						CPM-062315	CPM-062400	CPM-062500	CPM-062630		
6,5						CPM-065315	CPM-065400	CPM-065500			
7						CPM-070315	CPM-070400	CPM-070500	CPM-070630		
7,5						CPM-075315	CPM-075400	CPM-075500			
8					14		CPM-080315	CPM-080400	CPM-080500	CPM-080630	CPM-080800
8,2						CPM-082315	CPM-082400	CPM-082500	CPM-082630	CPM-082800	
8,5						CPM-085315	CPM-085400	CPM-085500	CPM-085630		
9	16					CPM-090315	CPM-090400	CPM-090500	CPM-090630		
9,5				CPM-095315	CPM-095400	CPM-095500					
10				CPM-100315	CPM-100400	CPM-100500	CPM-100630	CPM-100800	CPM-1001000		
10,2				CPM-102315	CPM-102400	CPM-102500	CPM-102630	CPM-102800			
10,5				CPM-105315	CPM-105400	CPM-105500	CPM-105630				
11			CPM-110315	CPM-110400	CPM-110500	CPM-110630					
12	18		7	0,8	CPM-120315	CPM-120400	CPM-120500	CPM-120630	CPM-120800	CPM-1201000	
12,2						CPM-122315	CPM-122400	CPM-122500	CPM-122630	CPM-122800	
12,5						CPM-125315	CPM-125400	CPM-125500	CPM-125630	CPM-125800	
14					22		CPM-140315	CPM-140400	CPM-140500	CPM-140630	CPM-140800
16						CPM-160315	CPM-160400	CPM-160500	CPM-160630	CPM-160800	CPM-1601000
18						CPM-180315	CPM-180400	CPM-180500	CPM-180630	CPM-180800	CPM-1801000
20	26	8		1	CPM-200315	CPM-200400	CPM-200500	CPM-200630	CPM-200800	CPM-2001000	
25	32	10			CPM-250315	CPM-250400	CPM-250500	CPM-250630	CPM-250800	CPM-2501000	
32	40				CPM-320315	CPM-320400	CPM-320500	CPM-320630	CPM-320800	CPM-3201000	

Wypychacz hartowany

Ejector pin hardened

WH

DIN 1530 / ISO 6751



Uwaga: Dostępne także z powłoką DLC
W celu zamówienia skontaktuj się z nami.
 Note: DLC coating available. Contact FCPK for details.

Mat.: Stal narzędziowa Tool steel 250°C

d	D	k	R	NR KAT.								
				L								
				80	100	125	160	200	250	315	400	
1,5	3	1,5	0,2	WH-015080	WH-015100	WH-015125	WH-015160	WH-015200				
1,6				WH-016080	WH-016100	WH-016125	WH-016160	WH-016200				
1,7					WH-017100	WH-017125	WH-017160	WH-017200				
1,8					WH-018100	WH-018125	WH-018160	WH-018200				
2	4	2	0,2	WH-020080	WH-020100	WH-020125	WH-020160	WH-020200	WH-020250			
2,1						WH-021160						
2,2				WH-022080	WH-022100	WH-022125	WH-022160	WH-022200	WH-022250			
2,5	5	3	0,3	WH-025080	WH-025100	WH-025125	WH-025160	WH-025200	WH-025250			
2,7				WH-027080	WH-027100	WH-027125	WH-027160	WH-027200	WH-027250			
3	6	3	0,3	WH-030080	WH-030100	WH-030125	WH-030160	WH-030200	WH-030250	WH-030315		
3,1						WH-031160						
3,2				WH-032080	WH-032100	WH-032125	WH-032160	WH-032200	WH-032250	WH-032315		
3,5	7	3	0,3	WH-035080	WH-035100	WH-035125	WH-035160	WH-035200	WH-035250	WH-035315		
3,7				WH-037080	WH-037100	WH-037125	WH-037160	WH-037200	WH-037250	WH-037315		
4	8	3	0,3	WH-040080	WH-040100	WH-040125	WH-040160	WH-040200	WH-040250	WH-040315	WH-040400	
4,1						WH-041160						
4,2				WH-042080	WH-042100	WH-042125	WH-042160	WH-042200	WH-042250	WH-042315	WH-042400	
4,5				WH-045080	WH-045100	WH-045125	WH-045160	WH-045200	WH-045250	WH-045315	WH-045400	
4,7	10	3	0,3	WH-047080	WH-047100	WH-047125	WH-047160	WH-047200	WH-047250	WH-047315	WH-047400	
5				WH-050080	WH-050100	WH-050125	WH-050160	WH-050200	WH-050250	WH-050315	WH-050400	
5,1							WH-051200					
5,2	10	3	0,3	WH-052080	WH-052100	WH-052125	WH-052160	WH-052200	WH-052250	WH-052315	WH-052400	
5,5					WH-055100	WH-055125	WH-055160	WH-055200	WH-055250	WH-055315	WH-055400	

Zastrzegamy sobie prawo do zmian bez uprzedzenia. Zawsze sprawdzaj aktualność katalogu na stronie www.proplastica.pl
 We reserve the right to amend this catalogue without notice. Always check www.proplastica.pl for latest updates.

Wypychacz hartowany

Ejector pin hardened

WH

d	D	k	R	NR KAT.								
				L								
				80	100	125	160	200	250	315	400	500
6	12			WH-060080	WH-060100	WH-060125	WH-060160	WH-060200	WH-060250	WH-060315	WH-060400	
6,1							WH-061200					
6,2				WH-062080	WH-062100	WH-062125	WH-062160	WH-062200	WH-062250	WH-062315	WH-062400	
6,5					WH-065100	WH-065125	WH-065160	WH-065200	WH-065250	WH-065315	WH-065400	
7					WH-070100	WH-070125	WH-070160	WH-070200	WH-070250	WH-070315	WH-070400	
8	14	5	0,5	WH-080080	WH-080100	WH-080125	WH-080160	WH-080200	WH-080250	WH-080315	WH-080400	
8,1							WH-081200					
8,2				WH-082080	WH-082100	WH-082125	WH-082160	WH-082200	WH-082250	WH-082315	WH-082400	
8,5					WH-085100	WH-085125	WH-085160	WH-085200	WH-085250	WH-085315	WH-085400	
9					WH-090100	WH-090125	WH-090160	WH-090200	WH-090250	WH-090315	WH-090400	
10	16			WH-100080	WH-100100	WH-100125	WH-100160	WH-100200	WH-100250	WH-100315	WH-100400	
10,1							WH-101200					
10,2				WH-102080	WH-102100	WH-102125	WH-102160	WH-102200	WH-102250	WH-102315	WH-102400	
10,5					WH-105100	WH-105125	WH-105160	WH-105200	WH-105250	WH-105315	WH-105400	
11					WH-110100	WH-110125	WH-110160	WH-110200	WH-110250	WH-110315	WH-110400	
12	18	7	0,8	WH-120080	WH-120100	WH-120125	WH-120160	WH-120200	WH-120250	WH-120315	WH-120400	WH-120500
12,1							WH-121200					
12,2					WH-122100	WH-122125	WH-122160	WH-122200	WH-122250	WH-122315	WH-122400	WH-122500
12,5					WH-125100	WH-125125	WH-125160	WH-125200	WH-125250	WH-125315	WH-125400	WH-125500
14				22	WH-140080	WH-140100	WH-140125	WH-140160	WH-140200	WH-140250	WH-140315	WH-140400
16	WH-160080	WH-160100	WH-160125		WH-160160	WH-160200	WH-160250	WH-160315	WH-160400	WH-160500		
18	WH-180100	WH-180125	WH-180160		WH-180200	WH-180250	WH-180315	WH-180400	WH-180500			
20	26	8	1		WH-200100	WH-200125	WH-200160	WH-200200	WH-200250	WH-200315	WH-200400	WH-200500

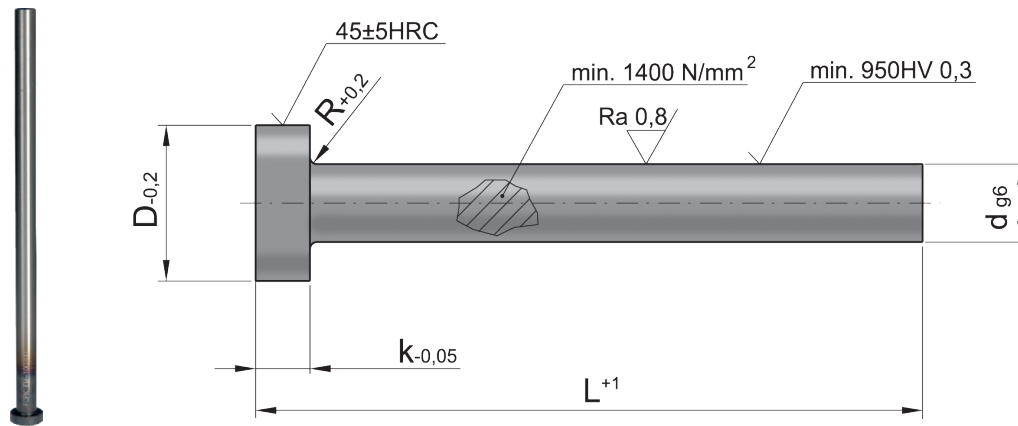
Uwaga. Inne wymiary na zapytanie
Note. Other dimensions on request.

Wypychacz azotowany

Ejector pin nitrided

EM

DIN 1530 / ISO 6751



d	D	k	R
1	2,5	1,2	0,2
1,2			
1,5			
1,6			
1,7	3	1,5	0,3
2			
2,2			
2,5			
2,7	4	2	0,3
3			
3,1			
3,2			
3,5	5	3	0,3

d	D	k	R
3,7	7	3	0,3
4			
4,1			
4,2			
4,5	8	3	0,3
5			
5,1			
5,2			
5,5	10	5	0,5
6			
6,1			
6,2			
6,5	12	5	0,5

d	D	k	R
7	12	5	0,5
7,5			
8			
8,1			
8,2	14	5	0,5
8,5			
9			
9,5			
10	16	5	0,5
10,1			
10,2			
10,5			
11	18	5	0,5

d	D	k	R
12	18	7	0,8
12,2			
12,5			
14			
14,2	22	7	0,8
16			
16,2			
18			
18	24	8	1
20			
25			
32			
32	40	10	1

Azotowany / Nitrided

Mat:
Stal narzędziowa
do pracy na gorąco
Hot working tool steel
500-550°C

d	NR KAT.										
	L										
	100	125	160	200	250	315	400	500	630	800	1000
1	EM-010100		EM-010160								
1,2	EM-012100		EM-012160								
1,5	EM-015100	EM-015125	EM-015160	EM-015200							
1,6			EM-016160								
1,7	EM-017100			EM-017200							
2	EM-020100	EM-020125	EM-020160	EM-020200	EM-020250	EM-020315					
2,2	EM-022100	EM-022125	EM-022160	EM-022200	EM-022250	EM-022315					
2,5	EM-025100	EM-025125	EM-025160	EM-025200	EM-025250	EM-025315					
2,7	EM-027100	EM-027125	EM-027160	EM-027200	EM-027250	EM-027315					
3	EM-030100	EM-030125	EM-030160	EM-030200	EM-030250	EM-030315	EM-030400	EM-030500			
3,1			EM-031160		EM-031250						
3,2	EM-032100	EM-032125	EM-032160	EM-032200	EM-032250	EM-032315	EM-032400				
3,5	EM-035100	EM-035125	EM-035160	EM-035200	EM-035250	EM-035315	EM-035400				
3,7	EM-037100	EM-037125	EM-037160	EM-037200	EM-037250	EM-037315	EM-037400				

Zastrzegamy sobie prawo do zmian bez uprzedzenia. Zawsze sprawdzaj aktualność katalogu na stronie www.proplastica.pl
We reserve the right to amend this catalogue without notice. Always check www.proplastica.pl for latest updates.

Wypychacz azotowany

Ejector pin nitrided



d	NR KAT.										
	L										
	100	125	160	200	250	315	400	500	630	800	1000
4	EM-040100	EM-040125	EM-040160	EM-040200	EM-040250	EM-040315	EM-040400	EM-040500			
4,1					EM-041250						
4,2	EM-042100	EM-042125	EM-042160	EM-042200	EM-042250	EM-042315	EM-042400	EM-042500	EM-042630		
4,5	EM-045100	EM-045125	EM-045160	EM-045200	EM-045250	EM-045315	EM-045400				
5	EM-050100	EM-050125	EM-050160	EM-050200	EM-050250	EM-050315	EM-050400	EM-050500	EM-050630	EM-050800	
5,1					EM-051250						
5,2	EM-052100	EM-052125	EM-052160	EM-052200	EM-052250	EM-052315	EM-052400	EM-052500	EM-052630		
5,5	EM-055100	EM-055125	EM-055160	EM-055200	EM-055250	EM-055315	EM-055400	EM-055500	EM-055630		
6	EM-060100	EM-060125	EM-060160	EM-060200	EM-060250	EM-060315	EM-060400	EM-060500	EM-060630	EM-060800	EM-0601000
6,1					EM-061250						
6,2	EM-062100	EM-062125	EM-062160	EM-062200	EM-062250	EM-062315	EM-062400	EM-062500	EM-062630		
6,5	EM-065100	EM-065125	EM-065160	EM-065200	EM-065250	EM-065315	EM-065400	EM-065500			
7	EM-070100	EM-070125	EM-070160	EM-070200	EM-070250	EM-070315	EM-070400	EM-070500	EM-070630		
7,5	EM-075100	EM-075125	EM-075160	EM-075200	EM-075250	EM-075315	EM-075400	EM-075500			
8	EM-080100	EM-080125	EM-080160	EM-080200	EM-080250	EM-080315	EM-080400	EM-080500	EM-080630	EM-080800	EM-0801000
8,1			EM-081160		EM-081250						
8,2	EM-082100	EM-082125	EM-082160	EM-082200	EM-082250	EM-082315	EM-082400	EM-082500	EM-082630	EM-082800	
8,5	EM-085100	EM-085125	EM-085160	EM-085200	EM-085250	EM-085315	EM-085400	EM-085500	EM-085630		
9	EM-090100	EM-090125	EM-090160	EM-090200	EM-090250	EM-090315	EM-090400	EM-090500	EM-090630		
9,5	EM-095100	EM-095125	EM-095160	EM-095200	EM-095250	EM-095315	EM-095400	EM-095500			
10	EM-100100	EM-100125	EM-100160	EM-100200	EM-100250	EM-100315	EM-100400	EM-100500	EM-100630	EM-100800	EM-1001000
10,1					EM-101250						
10,2	EM-102100	EM-102125	EM-102160	EM-102200	EM-102250	EM-102315	EM-102400	EM-102500	EM-102630	EM-102800	
10,5	EM-105100	EM-105125	EM-105160	EM-105200	EM-105250	EM-105315	EM-105400	EM-105500	EM-105630		
11	EM-110100	EM-110125	EM-110160	EM-110200	EM-110250	EM-110315	EM-110400	EM-110500	EM-110630		
12	EM-120100	EM-120125	EM-120160	EM-120200	EM-120250	EM-120315	EM-120400	EM-120500	EM-120630	EM-120800	EM-1201000
12,2	EM-122100	EM-122125	EM-122160	EM-122200	EM-122250	EM-122315	EM-122400	EM-122500	EM-122630	EM-122800	
12,5	EM-125100	EM-125125	EM-125160	EM-125200	EM-125250	EM-125315	EM-125400	EM-125500	EM-125630	EM-125800	
14	EM-140100	EM-140125	EM-140160	EM-140200	EM-140250	EM-140315	EM-140400	EM-140500	EM-140630	EM-140800	EM-1401000
14,2					EM-142250						
16	EM-160100	EM-160125	EM-160160	EM-160200	EM-160250	EM-160315	EM-160400	EM-160500	EM-160630	EM-160800	EM-1601000
16,2					EM-162250						
18	EM-180100	EM-180125	EM-180160	EM-180200	EM-180250	EM-180315	EM-180400	EM-180500	EM-180630	EM-180800	EM-1801000
20	EM-200100	EM-200125	EM-200160	EM-200200	EM-200250	EM-200315	EM-200400	EM-200500	EM-200630	EM-200800	EM-2001000
25			EM-250160	EM-250200	EM-250250	EM-250315	EM-250400	EM-250500	EM-250630	EM-250800	EM-2501000
32			EM-320160	EM-320200	EM-320250	EM-320315	EM-320400	EM-320500	EM-320630	EM-320800	EM-3201000

Uwaga. Inne wymiary na zapytanie

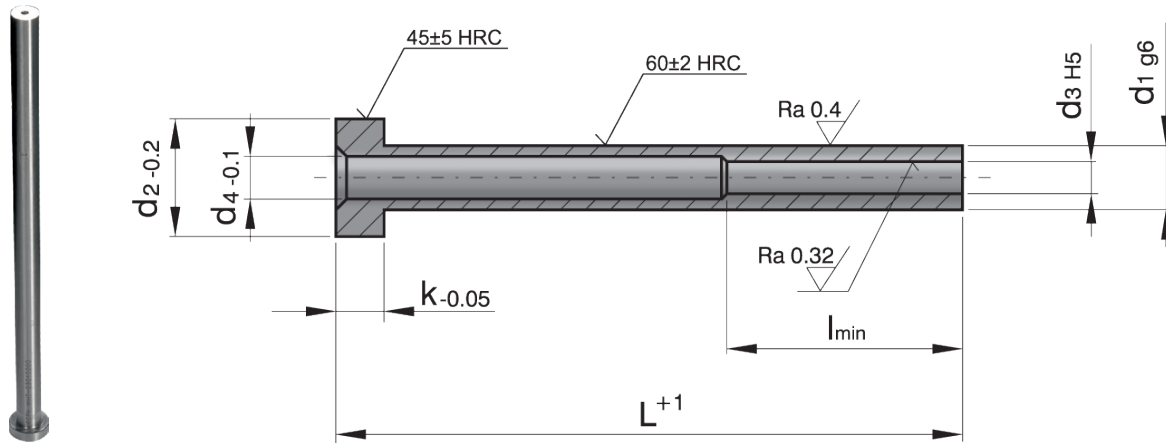
Note. Other dimensions on request.

Wypychacz tulejowy hartowany

Ejector sleeve hardened

WHT

DIN 16756 / ISO 8405



Mat.: Stal narzędziowa Tool steel 250°C

d3	d1	d2	k	d4	lmin	L				
						60	75	100	125	150
1,5	3	6	3	1,8	35	WHT-01503060	WHT-01503075	WHT-01503100	WHT-01503125	WHT-01503150
1,6				WHT-01603060		WHT-01603075	WHT-01603100	WHT-01603125	WHT-01603150	
2,0	4	8		2,5		WHT-02004060	WHT-02004075	WHT-02004100	WHT-02004125	WHT-02004150
2,2				WHT-02204060		WHT-02204075	WHT-02204100	WHT-02204125	WHT-02204150	
2,5	5	10		2,8					WHT-02504125	WHT-02504150
2,5				3,0		WHT-02505060	WHT-02505075	WHT-02505100	WHT-02505125	WHT-02505150
2,7				WHT-02705060		WHT-02705075	WHT-02705100	WHT-02705125	WHT-02705150	
3,0				3,5		WHT-03005060	WHT-03005075	WHT-03005100	WHT-03005125	WHT-03005150
3,2						WHT-03205060	WHT-03205075	WHT-03205100	WHT-03205125	WHT-03205150
3,5							3,8			WHT-03505100
3,5	6	12	5	4,0	45	WHT-03506060	WHT-03506075	WHT-03506100	WHT-03506125	WHT-03506150
3,7				WHT-03706060		WHT-03706075	WHT-03706100	WHT-03706125	WHT-03706150	
4,0	4,5	WHT-04006060		WHT-04006075		WHT-04006100	WHT-04006125	WHT-04006150		
4,0				WHT-04008075		WHT-04008100	WHT-04008125	WHT-04008150		
4,2	8	14		5,5		WHT-04208060	WHT-04208075	WHT-04208100	WHT-04208125	WHT-04208150
5,0				5,5		WHT-05008060	WHT-05008075	WHT-05008100	WHT-05008125	WHT-05008150
5,2				5,8		WHT-05208060	WHT-05208075	WHT-05208100	WHT-05208125	WHT-05208150
5,5				WHT-05508060		WHT-05508075	WHT-05508100	WHT-05508125	WHT-05508150	
6,0	10	16		6,5		WHT-06010060	WHT-06010075	WHT-06010100	WHT-06010125	WHT-06010150
6,2				WHT-06210060		WHT-06210075	WHT-06210100	WHT-06210125	WHT-06210150	
6,5				WHT-06510075	WHT-06510100	WHT-06510125	WHT-06510150			
7,0				WHT-07010075	WHT-07010100	WHT-07010125				
7,0										
8,0	12	20	7	8,5	50	WHT-08012060	WHT-08012075	WHT-08012100	WHT-08012125	WHT-08012150
8,2				WHT-08212060		WHT-08212075	WHT-08212100	WHT-08212125	WHT-08212150	
8,5						WHT-08512100	WHT-08512125			
10,0	14	22		10,5		WHT-10014075	WHT-10014100	WHT-10014125	WHT-10014150	
10,5					WHT-10514075	WHT-10514100	WHT-10514125	WHT-10514150		
11,0						WHT-11014100	WHT-11014125	WHT-11014150		
12,0				16	12,5		WHT-12016075	WHT-12016100	WHT-12016125	WHT-12016150
12,5						WHT-12516075	WHT-12516100	WHT-12516125	WHT-12516150	

Zastrzegamy sobie prawo do zmian bez uprzedzenia. Zawsze sprawdzaj aktualność katalogu na stronie www.proplastica.pl
We reserve the right to amend this catalogue without notice. Always check www.proplastica.pl for latest updates.

Wypychacz tulejowy hartowany

Ejector sleeve hardened

WHT

d3	d1	d2	k	d4	lmin	L			
						175	200	225	250
1,5	3	6	3	1,8	35	WHT-01503175			
1,6				WHT-01603175					
2,0	4	8		2,5		WHT-02004175	WHT-02004200	WHT-02004225	WHT-02004250
2,2				WHT-02204175		WHT-02204200	WHT-02204225	WHT-02204250	
2,5	5	10		3,0		WHT-02505175	WHT-02505200	WHT-02505225	WHT-02505250
2,7				WHT-02705175		WHT-02705200	WHT-02705225	WHT-02705250	
3,0			3,5	WHT-03005175	WHT-03005200	WHT-03005225	WHT-03005250		
3,2				WHT-03205175	WHT-03205200	WHT-03205225	WHT-03205250		
3,5	6	12	5	4,0	WHT-03506175	WHT-03506200	WHT-03506225	WHT-03506250	
3,7				WHT-03706175	WHT-03706200	WHT-03706225			
4,0	8	14		4,5	WHT-04006175	WHT-04006200	WHT-04006225	WHT-04006250	
4,0				WHT-04008175	WHT-04008200	WHT-04008225	WHT-04008250		
4,2				WHT-04208175	WHT-04208200	WHT-04208225	WHT-04208250		
5,0				WHT-05008175	WHT-05008200	WHT-05008225	WHT-05008250		
5,2	10	16	5,5	WHT-05208175	WHT-05208200	WHT-05208225	WHT-05208250		
5,5			WHT-05508175	WHT-05508200	WHT-05508225	WHT-05508250			
6,0			WHT-06010175	WHT-06010200	WHT-06010225	WHT-06010250			
6,2			WHT-06210175	WHT-06210200	WHT-06210225	WHT-06210250			
6,5	12	20	7,0	WHT-06510175	WHT-06510200	WHT-06510225			
7,0				WHT-07010200	WHT-07010225	WHT-07010250			
8,0	14	22	7	8,5	WHT-08012175	WHT-08012200	WHT-08012225	WHT-08012250	
8,2				WHT-08212175	WHT-08212200	WHT-08212225	WHT-08212250		
8,5					WHT-08512200				
10,0	16			10,5	WHT-10014175	WHT-10014200	WHT-10014225	WHT-10014250	
10,5				WHT-10514175	WHT-10514200	WHT-10514225	WHT-10514250		
11,0				WHT-11014175	WHT-11014200	WHT-11014225			
12,0			WHT-12016175	WHT-12016200	WHT-12016225	WHT-12016250			
12,5			13,0	WHT-12516175	WHT-12516200	WHT-12516225	WHT-12516250		

d3	d1	d2	k	d4	lmin	L			
						275	300	325	350
2,5	5	10	3	3,0	35	WHT-02505275			
2,7				WHT-02705275					
3,0				3,5		WHT-03005275	WHT-03005300		
3,2						WHT-03205275	WHT-03205300		
3,5	6	12		4,0		WHT-03506275	WHT-03506300		
4,0				WHT-04006275		WHT-04006300			
4,2	8	14	5	4,5	WHT-04208275				
5,0				WHT-05008275	WHT-05008300	WHT-05008325			
5,2				WHT-05208275	WHT-05208300	WHT-05208325			
5,5				WHT-05508275					
6,0	10	16		6,5	WHT-06010275	WHT-06010300	WHT-06010325		
6,2				WHT-06210275					
8,0	12	20	7	8,5	WHT-08012275	WHT-08012300			
8,2				WHT-08212275					
10,0	14	22		10,5	WHT-10014275	WHT-10014300	WHT-10014325		
12,0				WHT-12016275					

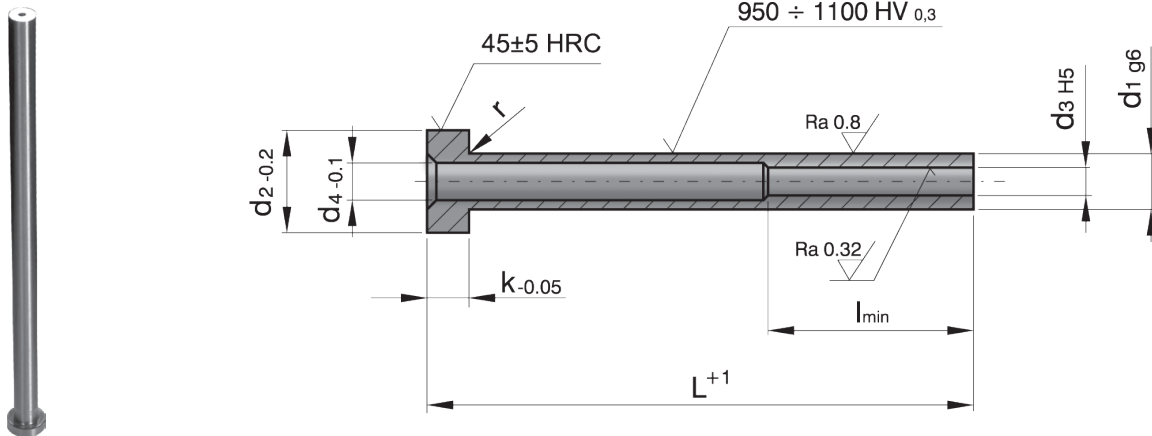
Uwaga. Inne wymiary na zapytanie
Note. Other dimensions on request.

Wypychacz tulejowy azotowany

Ejector sleeve nitrided

EMT

DIN 16756 / ISO 8405



Azotowany / Nitrided

Mat:
Stal narzędziowa
do pracy na gorąco
Hot working tool steel
500-550°C

d3	d1	d2	k	d4	lmin	L				
						75	100	125	150	175
1,5	3	6		1,8	35	EMT-01503075	EMT-01503100	EMT-01503125	EMT-01503150	
1,6				EMT-01603075		EMT-01603100	EMT-01603125	EMT-01603150		
2,0	4	8		2,5	35	EMT-02004075	EMT-02004100	EMT-02004125	EMT-02004150	EMT-02004175
2,2				EMT-02204075		EMT-02204100	EMT-02204125	EMT-02204150	EMT-02204175	
2,5	5	10	3	2,8	45		EMT-02504100			
2,5				EMT-02505075		EMT-02505100	EMT-02505125	EMT-02505150	EMT-02505175	
2,7	6	12		3,0	45	EMT-02705075	EMT-02705100	EMT-02705125	EMT-02705150	
3,0				EMT-03005075		EMT-03005100	EMT-03005125	EMT-03005150	EMT-03005175	
3,2	8	14	5	3,5	45	EMT-03205075	EMT-03205100	EMT-03205125	EMT-03205150	EMT-03205175
3,5						EMT-03505100	EMT-03505125	EMT-03505150	EMT-03505175	
3,5	10	16		4,0	50	EMT-03506075	EMT-03506100	EMT-03506125	EMT-03506150	EMT-03506175
3,7				EMT-03706075		EMT-03706100	EMT-03706125	EMT-03706150	EMT-03706175	
4,0	12	20		4,5	50	EMT-04006075	EMT-04006100	EMT-04006125	EMT-04006150	EMT-04006175
4,2				EMT-04208075		EMT-04208100	EMT-04208125	EMT-04208150	EMT-04208175	
5,0	14	22	7	5,5	50	EMT-05008075	EMT-05008100	EMT-05008125	EMT-05008150	EMT-05008175
5,2				EMT-05208075		EMT-05208100	EMT-05208125	EMT-05208150	EMT-05208175	
6,0	16			6,5	50	EMT-06010075	EMT-06010100	EMT-06010125	EMT-06010150	EMT-06010175
6,2				EMT-06210075		EMT-06210100	EMT-06210125	EMT-06210150	EMT-06210175	
8,0	20			8,5	50	EMT-08012075	EMT-08012100	EMT-08012125	EMT-08012150	EMT-08012175
8,2				EMT-08212075		EMT-08212100	EMT-08212125	EMT-08212150	EMT-08212175	
10,0	22			10,5	50	EMT-10014075	EMT-10014100	EMT-10014125	EMT-10014150	EMT-10014175
10,2						EMT-10214100	EMT-10214125	EMT-10214150		
10,5	24			11,0	50		EMT-10514100	EMT-10514125	EMT-10514150	EMT-10514175
12,0				EMT-12016075		EMT-12016100	EMT-12016125	EMT-12016150	EMT-12016175	
12,5				13,0	50		EMT-12516100	EMT-12516125	EMT-12516150	EMT-12516175

Wypychacz tulejowy azotowany

Ejector sleeve nitrided

EMT

d3	d1	d2	k	d4	l _{min}	L			
						200	225	250	275
2,0	4	8	3	2,5	35	EMT-02004200			
3,0	5	10		3,5		EMT-03005200	EMT-03005225		
3,2				EMT-03205200		EMT-03205225			
3,5	6	12	5	4,0	45	EMT-03506200			
4,0				EMT-04006200		EMT-04006225			
4,2				EMT-04208200		EMT-04208225			
5,0	8	14		5,5		EMT-05008200	EMT-05008225		
5,2				EMT-05208200		EMT-05208225			
6,0	10	16		6,5		EMT-06010200	EMT-06010225	EMT-06010250	
6,2			EMT-06210200	EMT-06210225	EMT-06210250				
8,0	12	20	7	8,5	50	EMT-08012200	EMT-08012225	EMT-08012250	EMT-08012275
8,2						EMT-08212200	EMT-08212225	EMT-08212250	EMT-08212275
10,0	14	22		10,5		EMT-10014200	EMT-10014225	EMT-10014250	EMT-10014275
10,2				EMT-10214200		EMT-10214225	EMT-10214250	EMT-10214275	
10,5				EMT-10514200		EMT-10514225			
12,0	16			12,5		EMT-12016200	EMT-12016225	EMT-12016250	EMT-12016275
12,5				EMT-12516200		EMT-12516225	EMT-12516250	EMT-12516275	

Uwaga. Inne wymiary na zapytanie

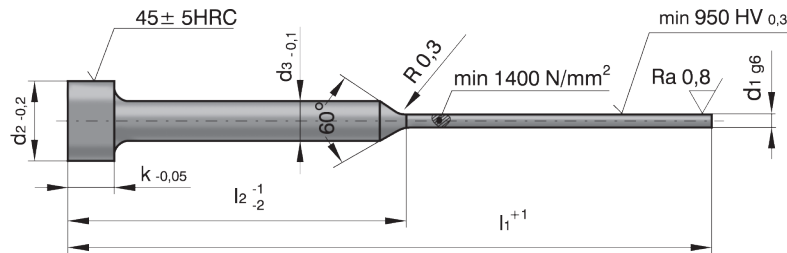
Note. Other dimensions on request.

Wypychacz odsadzany azotowany

Step pin nitrided

ESM

DIN 1530-2 / ISO 8694



DIN 1530
Azotowany / Nitrided
Mat:
Stal narzędziowa
do pracy na gorąco
Hot working tool steel
500-550°C

d1	d2	d3	k	NR KAT.				
				l2=35 l1=80	l2=50 l1=100	l2=50 l1=125	l2=75 l1=160	l2=75 l1=200
0,8	4	2	2	ESM-0835080	ESM-0850100	ESM-0850125	ESM-0875160	
0,9				ESM-0935080	ESM-0950100	ESM-0950125	ESM-0975160	
1,0				ESM-1035080	ESM-1050100	ESM-1050125	ESM-1075160	
1,1				ESM-1135080	ESM-1150100	ESM-1150125	ESM-1175160	
1,2				ESM-1235080	ESM-1250100	ESM-1250125	ESM-1275160	
1,3				ESM-1335080	ESM-1350100	ESM-1350125	ESM-1375160	
1,4				ESM-1435080	ESM-1450100	ESM-1450125	ESM-1475160	
1,5	6	3	3	ESM-1535080	ESM-1550100	ESM-1550125	ESM-1575160	ESM-1575200
1,6				ESM-1635080	ESM-1650100	ESM-1650125	ESM-1675160	ESM-1675200
1,7				ESM-1735080	ESM-1750100	ESM-1750125	ESM-1775160	ESM-1775200
1,8				ESM-1835080	ESM-1850100	ESM-1850125	ESM-1875160	ESM-1875200
1,9				ESM-1935080	ESM-1950100	ESM-1950125	ESM-1975160	ESM-1975200
2,0				ESM-2035080	ESM-2050100	ESM-2050125	ESM-2075160	ESM-2075200
2,1				ESM-2135080	ESM-2150100	ESM-2150125	ESM-2175160	ESM-2175200
2,2				ESM-2235080	ESM-2250100	ESM-2250125	ESM-2275160	ESM-2275200
2,3				ESM-2335080	ESM-2350100	ESM-2350125	ESM-2375160	ESM-2375200
2,4				ESM-2435080	ESM-2450100	ESM-2450125	ESM-2475160	ESM-2475200
2,5					ESM-2550100	ESM-2550125	ESM-2575160	ESM-2575200
2,6					ESM-2650100	ESM-2650125	ESM-2675160	ESM-2675200
2,7					ESM-2750100	ESM-2750125	ESM-2775160	ESM-2775200
2,8		ESM-2850100	ESM-2850125	ESM-2875160	ESM-2875200			
2,9		ESM-2950100	ESM-2950125	ESM-2975160	ESM-2975200			

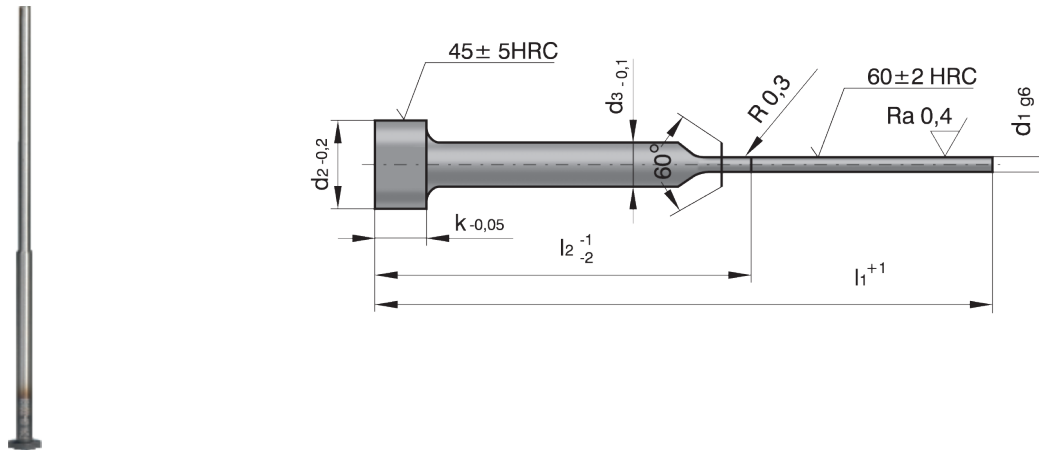
Uwaga. Inne wymiary na zapytanie
Note. Other dimensions on request.

Wypychacz odsadzany hartowany

Step pin hardened

OH

DIN 1530-2 / ISO 8694



Uwaga: Dostępne także z powłoką DLC
W celu zamówienia skontaktuj się z nami.
 Note: DLC coating available. Contact FCPK for details.

Mat.: Stal narzędziowa Tool steel 250°C

d1	d2	d3	k	NR KAT.				
				l2=35	l2=50	l2=50	l2=75	l2=75
				l1=80	l1=100	l1=125	l1=160	l1=200
0,8	4	2	2	OH - 080080	OH - 080100	OH - 080125	OH - 080160	
0,9				OH - 090080	OH - 090100	OH - 090125	OH - 090160	
1,0				OH - 100080	OH - 100100	OH - 100125	OH - 100160	
1,1				OH - 110080	OH - 110100	OH - 110125	OH - 110160	
1,2				OH - 120080	OH - 120100	OH - 120125	OH - 120160	
1,3				OH - 130080	OH - 130100	OH - 130125	OH - 130160	
1,4				OH - 140080	OH - 140100	OH - 140125	OH - 140160	
1,5				6	3	3	OH - 150080	OH - 150100
1,6	OH - 160080	OH - 160100	OH - 160125				OH - 160160	OH - 160200
1,7	OH - 170080	OH - 170100	OH - 170125				OH - 170160	OH - 170200
1,8	OH - 180080	OH - 180100	OH - 180125				OH - 180160	OH - 180200
1,9	OH - 190080	OH - 190100	OH - 190125				OH - 190160	OH - 190200
2,0	OH - 200080	OH - 200100	OH - 200125				OH - 200160	OH - 200200
2,1	OH - 210080	OH - 210100	OH - 210125				OH - 210160	OH - 210200
2,2	OH - 220080	OH - 220100	OH - 220125				OH - 220160	OH - 220200
2,3	OH - 230080	OH - 230100	OH - 230125				OH - 230160	OH - 230200
2,4	OH - 240080	OH - 240100	OH - 240125				OH - 240160	OH - 240200
2,5		OH - 250100	OH - 250125				OH - 250160	OH - 250200
2,6		OH - 260100	OH - 260125				OH - 260160	OH - 260200
2,7		OH - 270100	OH - 270125	OH - 270160	OH - 270200			
2,8		OH - 280100	OH - 280125	OH - 280160	OH - 280200			
2,9		OH - 290100	OH - 290125	OH - 290160	OH - 290200			

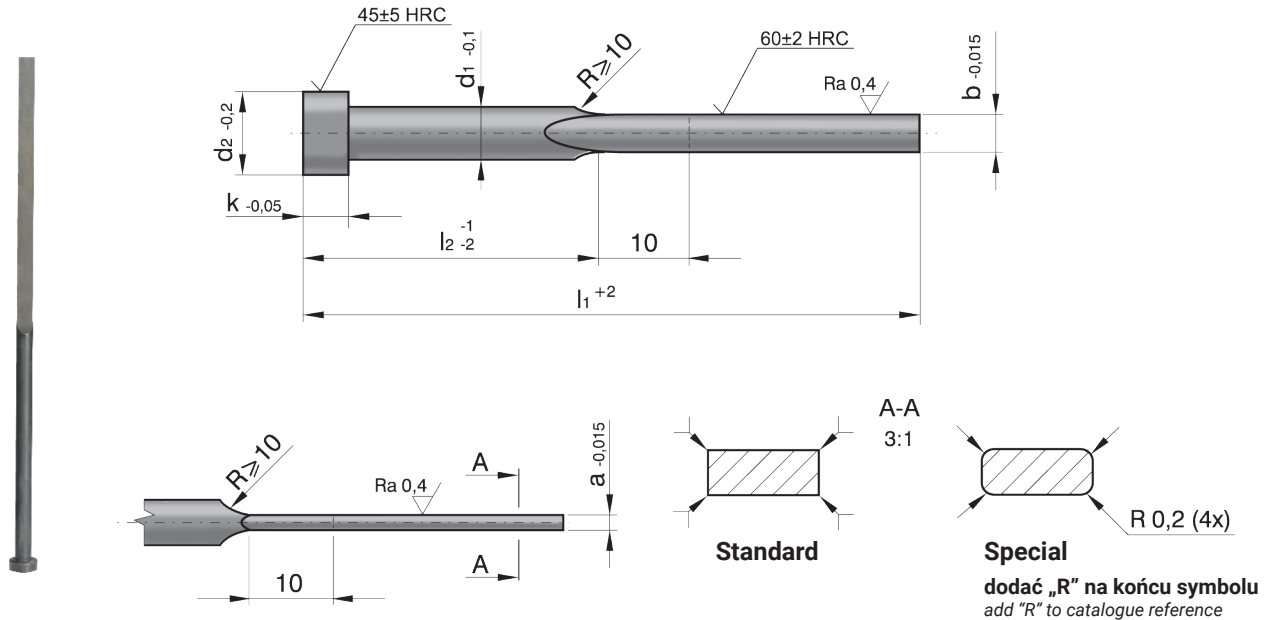
Uwaga. Inne wymiary na zapytanie
 Note. Other dimensions on request.

Wypychacz płaski hartowany

Flat ejector pin hardened

OHP

DIN 1530-4 / ISO 8693



Uwaga: Dostępne także z powłoką DLC
W celu zamówienia skontaktuj się z nami.
 Note: DLC coating available. Contact FCPK for details.

Mat.: Stal narzędziowa Tool steel 250°C

b	a	d1	d2	k	NR KAT.					
					l1=63	l1=80	l1=100	l1=125	l1=160	l1=200
					l2=30	l2=40	l2=50	l2=60	l2=80	l2=100
3,8	0,8	4,2	8	3	OHP-03808063	OHP-03808080	OHP-03808100	OHP-03808125		
	1,0				OHP-03810063	OHP-03810080	OHP-03810100	OHP-03810125	OHP-03810160	
	1,2					OHP-03812080	OHP-03812100	OHP-03812125	OHP-03812160	OHP-03812200
4,5	1,0	5,0	10	3		OHP-04510080	OHP-04510100	OHP-04510125	OHP-04510160	OHP-04510200
	1,2					OHP-04512080	OHP-04512100	OHP-04512125	OHP-04512160	OHP-04512200
	1,5						OHP-04515100	OHP-04515125	OHP-04515160	OHP-04515200
5,5	1,0	6,0	12	5		OHP-05510080	OHP-05510100	OHP-05510125	OHP-05510160	—
	1,2					OHP-05512080	OHP-05512100	OHP-05512125	OHP-05512160	OHP-05512200

b	a	d1	d2	k	NR KAT.					
					l1=100	l1=125	l1=160	l1=200	l1=250	l1=315
					l2=50	l2=60	l2=80	l2=100	l2=125	l2=160
5,5	1,5	6,0	12	5	OHP-05515100	OHP-05515125	OHP-05515160	OHP-05515200		
	2,0					OHP-05520125	OHP-05520160	OHP-05520200		
7,5	1,2	8,0	14	5	OHP-07512100	OHP-07512125	OHP-07512160	OHP-07512200		
	1,5					OHP-07515125	OHP-07515160	OHP-07515200	OHP-07515250	
	2,0						OHP-07520160	OHP-07520200	OHP-07520250	
9,5	1,5	10	16	5			OHP-09515160	OHP-09515200	OHP-09515250	
	2,0						OHP-09520200	OHP-09520250	OHP-09520315	
11,5	2,0	12	18	7				OHP-11520200	OHP-11520250	OHP-11520315
	2,5							OHP-11525200	OHP-11525250	OHP-11525315

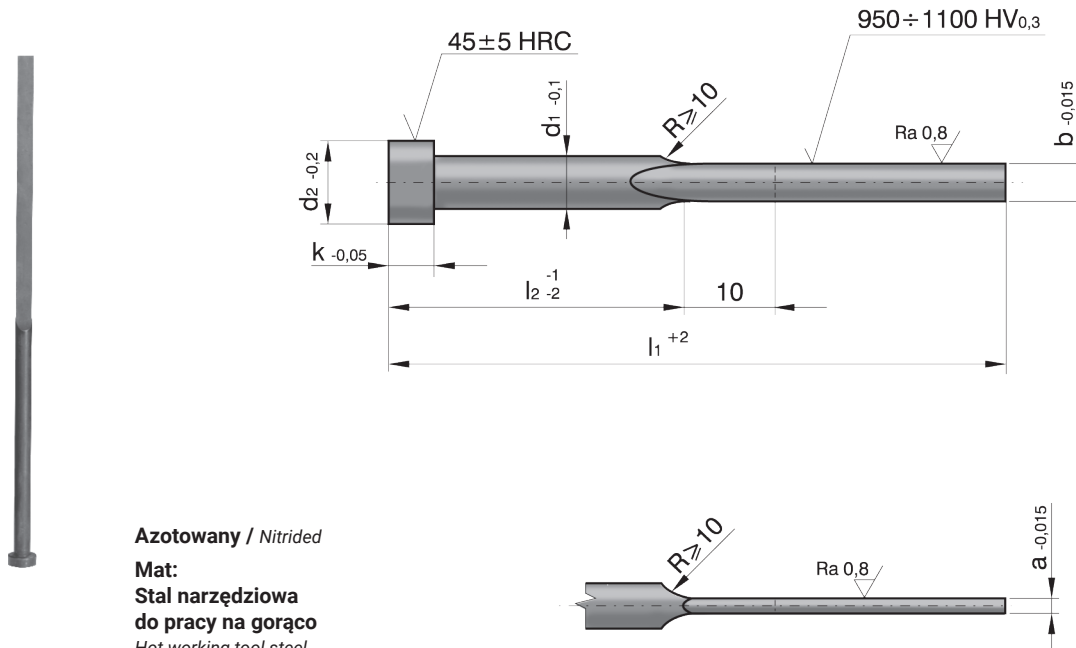
Uwaga. Inne wymiary na zapytanie
 Note. Other dimensions on request.

Wypychacz płaski azotowany

Flat ejector pin nitrided

ESP

DIN 1530-4 / ISO 8693



Azotowany / Nitrided
Mat:
Stal narzędziowa
do pracy na gorąco
Hot working tool steel
500-550°C

b	a	d1	d2	k	NR KAT.				
					l1=80 l2=40	l1=100 l2=50	l1=125 l2=60	l1=160 l2=80	l1=200 l2=100
3,8	0,8	4,2	8	3	ESP-03808080	ESP-03808100	ESP-03808125		
	1,0				ESP-03810080	ESP-03810100	ESP-03810125	ESP-03810160	
	1,2				ESP-03812080	ESP-03812100	ESP-03812125	ESP-03812160	
4,5	1,0	5,0	10	3	ESP-04510080	ESP-04510100	ESP-04510125	ESP-04510160	
	1,2				ESP-04512080	ESP-04512100	ESP-04512125	ESP-04512160	
	1,5					ESP-04515100	ESP-04515125	ESP-04515160	ESP-04515200
5,5	1,0	6,0	12	5	ESP-05510080	ESP-05510100	ESP-05510125	ESP-05510160	
	1,2				ESP-05512080	ESP-05512100	ESP-05512125	ESP-05512160	
	1,5					ESP-05515100	ESP-05515125	ESP-05515160	ESP-05515200
	2,0						ESP-05520125	ESP-05520160	ESP-05520200

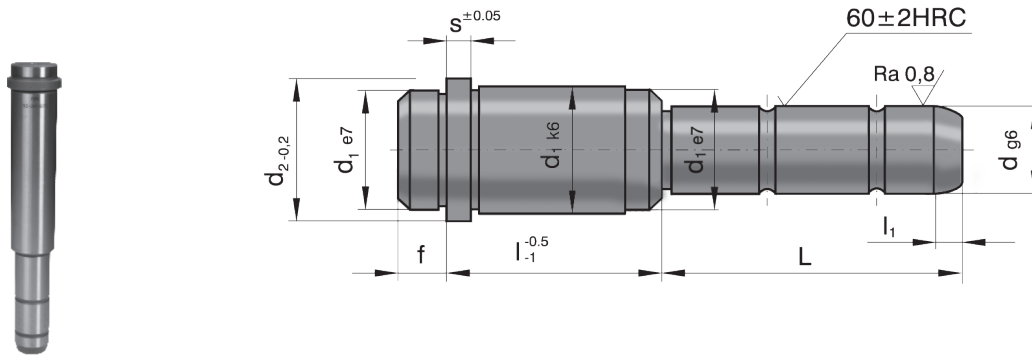
b	a	d1	d2	k	NR KAT.					
					l1=125 l2=60	l1=160 l2=80	l1=200 l2=100	l1=250 l2=125	l1=315 l2=160	l1=400 l2=200
7,5	1,2	8,0	14	5	ESP-07512125	ESP-07512160	ESP-07512200			
	1,5				ESP-07515125	ESP-07515160	ESP-07515200	ESP-07515250		
	2,0					ESP-07520160	ESP-07520200	ESP-07520250	ESP-07520315	
9,5	1,5	10	16	5		ESP-09515160	ESP-09515200	ESP-09515250	ESP-09515315	
	2,0					ESP-09520200	ESP-09520250	ESP-09520315	ESP-09520400	
11,5	2,0	12	18	7			ESP-11520200	ESP-11520250	ESP-11520315	ESP-11520400
	2,5						ESP-11525200	ESP-11525250	ESP-11525315	ESP-11525400
15,5	2,0	16	22	7			ESP-15520200	ESP-15520250	ESP-15520315	ESP-15520400
	2,5						ESP-15525200	ESP-15525250	ESP-15525315	ESP-15525400

Uwaga. Inne wymiary na zapytanie
Note. Other dimensions on request.

Słup prowadzący

Leader pin

SLE



Uwaga: Dostępne także z powłoką DLC.
W celu zamówienia skontaktuj się z nami.
 Note: Available with DLC coating. Contact FCPK for details.

d	d1	d2	s	f	l1	l	L	NR KAT.	NR KAT.
9/10	14	16	3	3	4	9	20	SLE-09009020	SLE-10009020
							35	SLE-09009035	SLE-10009035
							50	SLE-09009050	SLE-10009050
						12	25	SLE-09012025	SLE-10012025
							45	SLE-09012045	SLE-10012045
							65	SLE-09012065	SLE-10012065
						17	20	SLE-09017020	SLE-10017020
							30	SLE-09017030	SLE-10017030
							50	SLE-09017050	SLE-10017050
							70	SLE-09017070	SLE-10017070
						22	25	SLE-09022025	SLE-10022025
							35	SLE-09022035	SLE-10022035
							55	SLE-09022055	SLE-10022055
							75	SLE-09022075	SLE-10022075
							95	SLE-09022095	SLE-10022095
						27	20	SLE-09027020	SLE-10027020
							30	SLE-09027030	SLE-10027030
							50	SLE-09027050	SLE-10027050
							70	SLE-09027070	SLE-10027070
							90	SLE-09027090	SLE-10027090
						36	25	SLE-09036025	SLE-10036025
							45	SLE-09036045	SLE-10036045
							65	SLE-09036065	SLE-10036065
							85	SLE-09036085	SLE-10036085
46	30	SLE-09046030	SLE-10046030						
	45	SLE-09046045	SLE-10046045						
	70	SLE-09046070	SLE-10046070						
56	35	SLE-09056035	SLE-10056035						
	60	SLE-09056060	SLE-10056060						

Słup prowadzący

Leader pin

SLE

d	d1	d2	s	f	l1	l	L	NR KAT.	NR KAT.
14/15	20	25	6	9	7	17	35	SLE-14017035	SLE-15017035
							55	SLE-14017055	SLE-15017055
							75	SLE-14017075	SLE-15017075
							95	SLE-14017095	SLE-15017095
						22	30	SLE-14022030	SLE-15022030
							50	SLE-14022050	SLE-15022050
							70	SLE-14022070	SLE-15022070
							90	SLE-14022090	SLE-15022090
							110	SLE-14022110	SLE-15022110
							125	SLE-14022125	SLE-15022125
						27	150	SLE-14022150	SLE-15022150
							30	SLE-14027030	SLE-15027030
							45	SLE-14027045	SLE-15027045
							65	SLE-14027065	SLE-15027065
							85	SLE-14027085	SLE-15027085
							105	SLE-14027105	SLE-15027105
							125	SLE-14027125	SLE-15027125
						36	145	SLE-14027145	SLE-15027145
							165	SLE-14027165	SLE-15027165
							35	SLE-14036035	SLE-15036035
							55	SLE-14036055	SLE-15036055
							75	SLE-14036075	SLE-15036075
							95	SLE-14036095	SLE-15036095
						46	125	SLE-14036125	SLE-15036125
							155	SLE-14036155	SLE-15036155
							35	SLE-14046035	SLE-15046035
							45	SLE-14046045	SLE-15046045
							65	SLE-14046065	SLE-15046065
							85	SLE-14046085	SLE-15046085
							105	SLE-14046105	SLE-15046105
						56	125	SLE-14046125	SLE-15046125
							145	SLE-14046145	SLE-15046145
							35	SLE-14056035	SLE-15056035
							55	SLE-14056055	SLE-15056055
							75	SLE-14056075	SLE-15056075
						66	95	SLE-14056095	SLE-15056095
							135	SLE-14056135	SLE-15056135
							55	SLE-14066055	SLE-15066055
							65	SLE-14066065	SLE-15066065
						76	95	SLE-14066095	SLE-15066095
							125	SLE-14066125	SLE-15066125
							55	SLE-14076055	SLE-15076055
						86	95	SLE-14076095	SLE-15076095
							55	SLE-14086055	SLE-15086055
96	95	SLE-14086095	SLE-15086095						
	55	SLE-14096055	SLE-15096055						
116	95	SLE-14096095	SLE-15096095						
	75	SLE-14116075	SLE-15116075						

Słup prowadzący
Leader pin
SLE

d	d1	d2	s	f	l1	l	L	NR KAT.	NR KAT.
18/20	26	31	6	9	7	17	35	SLE-18017035	SLE-20017035
							55	SLE-18017055	SLE-20017055
							75	SLE-18017075	SLE-20017075
							120	SLE-18017120	SLE-20017120
						22	35	SLE-18022035	SLE-20022035
							45	SLE-18022045	SLE-20022045
							65	SLE-18022065	SLE-20022065
							85	SLE-18022085	SLE-20022085
							115	SLE-18022115	SLE-20022115
						27	35	SLE-18027035	SLE-20027035
							45	SLE-18027045	SLE-20027045
							65	SLE-18027065	SLE-20027065
							85	SLE-18027085	SLE-20027085
							105	SLE-18027105	SLE-20027105
							125	SLE-18027125	SLE-20027125
							165	SLE-18027165	SLE-20027165
							225	SLE-18027225	SLE-20027225
						36	35	SLE-18036035	SLE-20036035
							55	SLE-18036055	SLE-20036055
							75	SLE-18036075	SLE-20036075
							95	SLE-18036095	SLE-20036095
							115	SLE-18036115	SLE-20036115
							135	SLE-18036135	SLE-20036135
							165	SLE-18036165	SLE-20036165
							225	SLE-18036225	SLE-20036225
						46	35	SLE-18046035	SLE-20046035
							45	SLE-18046045	SLE-20046045
							65	SLE-18046065	SLE-20046065
							85	SLE-18046085	SLE-20046085
							105	SLE-18046105	SLE-20046105
							135	SLE-18046135	SLE-20046135
							165	SLE-18046165	SLE-20046165
							245	SLE-18046245	SLE-20046245
						56	35	SLE-18056035	SLE-20056035
							55	SLE-18056055	SLE-20056055
							75	SLE-18056075	SLE-20056075
							95	SLE-18056095	SLE-20056095
							155	SLE-18056155	SLE-20056155
						66	35	SLE-18066035	SLE-20066035
							55	SLE-18066055	SLE-20066055
							75	SLE-18066075	SLE-20066075
							95	SLE-18066095	SLE-20066095
145	SLE-18066145	SLE-20066145							
76	55	SLE-18076055	SLE-20076055						
	75	SLE-18076075	SLE-20076075						
	95	SLE-18076095	SLE-20076095						
	135	SLE-18076135	SLE-20076135						

Słup prowadzący

Leader pin

SLE

d	d1	d2	s	f	l1	l	L	NR KAT.	NR KAT.						
18/20	26	31	6	9	7	86	55	SLE-18086055	SLE-20086055						
							75	SLE-18086075	SLE-20086075						
							95	SLE-18086095	SLE-20086095						
							125	SLE-18086125	SLE-20086125						
						96	55	SLE-18096055	SLE-20096055						
							95	SLE-18096095	SLE-20096095						
						116	75	SLE-18116075	SLE-20116075						
							115	SLE-18116115	SLE-20116115						
						136	135	SLE-18136135	SLE-20136135						
						22/24	30	35	6	9	7	17	35	SLE-22017035	SLE-24017035
													55	SLE-22017055	SLE-24017055
													75	SLE-22017075	SLE-24017075
22	35	SLE-22022035	SLE-24022035												
	55	SLE-22022055	SLE-24022055												
	75	SLE-22022075	SLE-24022075												
	105	SLE-22022105	SLE-24022105												
	130	SLE-22022130	SLE-24022130												
	165	SLE-22022165	SLE-24022165												
27	35	SLE-22027035	SLE-24027035												
	45	SLE-22027045	SLE-24027045												
	65	SLE-22027065	SLE-24027065												
	85	SLE-22027085	SLE-24027085												
	105	SLE-22027105	SLE-24027105												
	125	SLE-22027125	SLE-24027125												
	165	SLE-22027165	SLE-24027165												
	205	SLE-22027205	SLE-24027205												
	245	SLE-22027245	SLE-24027245												
	285	SLE-22027285	SLE-24027285												
36	35	SLE-22036035	SLE-24036035												
	55	SLE-22036055	SLE-24036055												
	75	SLE-22036075	SLE-24036075												
	95	SLE-22036095	SLE-24036095												
	115	SLE-22036115	SLE-24036115												
	135	SLE-22036135	SLE-24036135												
	165	SLE-22036165	SLE-24036165												
	205	SLE-22036205	SLE-24036205												
	245	SLE-22036245	SLE-24036245												
	285	SLE-22036285	SLE-24036285												
46	35	SLE-22046035	SLE-24046035												
	45	SLE-22046045	SLE-24046045												
	65	SLE-22046065	SLE-24046065												
	85	SLE-22046085	SLE-24046085												
	105	SLE-22046105	SLE-24046105												
	125	SLE-22046125	SLE-24046125												
	165	SLE-22046165	SLE-24046165												
	205	SLE-22046205	SLE-24046205												

Słup prowadzący
Leader pin
SLE

d	d1	d2	s	f	l1	l	L	NR KAT.	NR KAT.						
22/24	30	35	6	9	7	56	35	SLE-22056035	SLE-24056035						
							55	SLE-22056055	SLE-24056055						
							75	SLE-22056075	SLE-24056075						
							95	SLE-22056095	SLE-24056095						
							115	SLE-22056115	SLE-24056115						
							165	SLE-22056165	SLE-24056165						
							205	SLE-22056205	SLE-24056205						
						66	35	SLE-22066035	SLE-24066035						
							55	SLE-22066055	SLE-24066055						
							75	SLE-22066075	SLE-24066075						
							95	SLE-22066095	SLE-24066095						
							155	SLE-22066155	SLE-24066155						
						76	55	SLE-22076055	SLE-24076055						
							75	SLE-22076075	SLE-24076075						
							95	SLE-22076095	SLE-24076095						
							115	SLE-22076115	SLE-24076115						
						86	75	SLE-22076145	SLE-24076145						
							55	SLE-22086055	SLE-24086055						
							75	SLE-22086075	SLE-24086075						
							95	SLE-22086095	SLE-24086095						
						96	135	SLE-22086135	SLE-24086135						
							55	SLE-22096055	SLE-24096055						
							75	SLE-22096075	SLE-24096075						
							95	SLE-22096095	SLE-24096095						
						116	125	SLE-22096125	SLE-24096125						
							75	SLE-22116075	SLE-24116075						
							115	SLE-22116115	SLE-24116115						
							155	SLE-22116155	SLE-24116155						
						136	95	SLE-22136095	SLE-24136095						
							135	SLE-22136135	SLE-24136135						
							156	SLE-22156155	SLE-24156155						
						30/32	42	47	6	9	7	22	35	SLE-30022035	SLE-32022035
													75	SLE-30022075	SLE-32022075
													130	SLE-30022130	SLE-32022130
												27	45	SLE-30027045	SLE-32027045
													65	SLE-30027065	SLE-32027065
105	SLE-30027105	SLE-32027105													
165	SLE-30027165	SLE-32027165													
185	SLE-30027185	SLE-32027185													
245	SLE-30027245	SLE-32027245													
285	SLE-30027285	SLE-32027285													
36	55	SLE-30036055	SLE-32036055												
	75	SLE-30036075	SLE-32036075												
	95	SLE-30036095	SLE-32036095												
	115	SLE-30036115	SLE-32036115												
	155	SLE-30036155	SLE-32036155												
	245	SLE-30036245	SLE-32036245												
	285	SLE-30036285	SLE-32036285												

Słup prowadzący

Leader pin

SLE

d	d1	d2	s	f	l1	l	L	NR KAT.	NR KAT.
30/32	42	47	6	9	7	46	45	SLE-30046045	SLE 32046045
							65	SLE-30046065	SLE-32046065
							85	SLE-30046085	SLE-32046085
							105	SLE-30046105	SLE 32046105
							125	SLE-30046125	SLE-32046125
							165	SLE-30046165	SLE-32046165
							245	SLE-30046245	SLE-32046245
							285	SLE-30046285	SLE-32046285
						56	55	SLE-30056055	SLE-32056055
							75	SLE-30056075	SLE-32056075
							95	SLE-30056095	SLE 32056095
							115	SLE-30056115	SLE-32056115
							135	SLE-30056135	SLE-32056135
							175	SLE-30056175	SLE-32056175
							245	SLE-30056245	SLE-32056245
							295	SLE-30056295	SLE-32056295
						66	55	SLE-30066055	SLE-32066055
							75	SLE-30066075	SLE-32066075
							95	SLE-30066095	SLE-32066095
							115	SLE-30066115	SLE-32066115
							135	SLE-30066135	SLE-32066135
							175	SLE30066175	SLE 32066175
							245	SLE-30066245	SLE 32066245
							295	SLE-30066295	SLE-32066295
						76	55	SLE-30076055	SLE-32076055
							75	SLE-30076075	SLE-32076075
							95	SLE-30076095	SLE-32076095
							115	SLE-30076115	SLE-32076115
							155	SLE-30076155	SLE-32076155
							225	SLE-30076225	SLE-32076225
						86	55	SLE-30086055	SLE-32086055
							75	SLE-30086075	SLE-32086075
							95	SLE-30086095	SLE-32086095
							115	SLE-30086115	SLE-32086115
							155	SLE-30086155	SLE-32086155
							225	SLE-30086225	SLE-32086225
						96	55	SLE-30096055	SLE-32096055
							75	SLE-30096075	SLE -32096075
							95	SLE-30096095	SLE-32096095
							115	SLE-30096115	SLE-32096115
							155	SLE-30096155	SLE-32096155
							205	SLE-30096205	SLE-32096205
116	75	SLE-30116075	SLE-32116075						
	115	SLE-30116115	SLE-32116115						
	155	SLE-30116155	SLE-32116155						
136	95	SLE-30136095	SLE-32136095						
	115	SLE-30136115	SLE-32136115						
	155	SLE-30136155	SLE-32136155						
156	115	SLE-30156115	SLE-32156115						
	155	SLE-30156155	SLE-32156155						

Słup prowadzący
Leader pin
SLE

d	d1	d2	s	f	l1	l	L	NR KAT.	NR KAT.						
30/32	42	47	6	9	7	176	135	SLE-30176135	SLE-32176135						
							175	SLE-30176175	SLE-32176175						
						196	155	SLE-30196155	SLE-32196155						
							195	SLE-30196195	SLE-32196195						
40/42	54	60	10	12	7	36	75	SLE-40036075	SLE-42036075						
							135	SLE-40036135	SLE-42036135						
						46	95	SLE-40046095	SLE-42046095						
							165	SLE-40046165	SLE-42046165						
						56	75	SLE-40056075	SLE-42056075						
							115	SLE-40056115	SLE-42056115						
							155	SLE-40056155	SLE-42056155						
						66	195	SLE-40056195	SLE-42056195						
							75	SLE-40066075	SLE-42066075						
							135	SLE-40066135	SLE-42066135						
						76	75	SLE-40076075	SLE-42076075						
							115	SLE-40076115	SLE-42076115						
							175	SLE-40076175	SLE-42076175						
						86	75	SLE-40086075	SLE-42086075						
							135	SLE-40086135	SLE-42086135						
						96	75	SLE-40096075	SLE-42096075						
							115	SLE-40096115	SLE-42096115						
							155	SLE-40096155	SLE-42096155						
						116	95	SLE-40116095	SLE-42116095						
							135	SLE-40116135	SLE-42116135						
							195	SLE-40116195	SLE-42116195						
						136	95	SLE-40136095	SLE-42136095						
							135	SLE-40136135	SLE-42136135						
							215	SLE-40136215	SLE-42136215						
						156	115	SLE-40156115	SLE-42156115						
							155	SLE-40156155	SLE-42156155						
							215	SLE-40156215	SLE-42156215						
						176	135	SLE-40176135	SLE-42176135						
							155	SLE-40176155	SLE-42176155						
							175	SLE-40176175	SLE-42176175						
						196	155	SLE-40196155	SLE-42196155						
							195	SLE-40196195	SLE-42196195						
							235	SLE-40196235	SLE-42196235						
						246	165	SLE-40246165	SLE-42246165						
							245	SLE-40246245	SLE-42246245						
						50/52	66	71	10	12	10	56	75	SLE-50056075	SLE-52056075
													95	SLE-50056095	SLE-52056095
													115	SLE-50056115	SLE-52056115
													155	SLE-50056155	SLE-52056155
												66	75	SLE-50066075	SLE-52066075
													95	SLE-50066095	SLE-52066095
													115	SLE-50066115	SLE-52066115
												76	155	SLE-50066155	SLE-52066155
													75	SLE-50076075	SLE-52076075
													95	SLE-50076095	SLE-52076095
													115	SLE-50076115	SLE-52076115
													155	SLE-50076155	SLE-52076155
						195	SLE-50076195	SLE-52076195							

Słup prowadzący

Leader pin

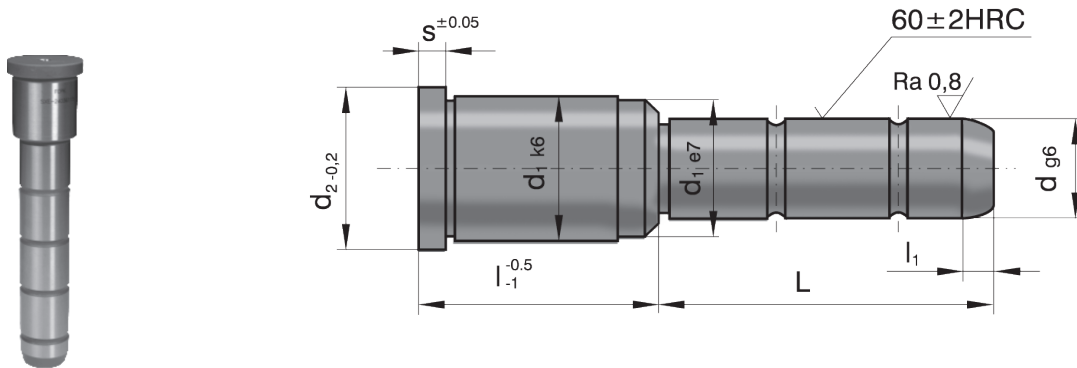
SLE

d	d1	d2	s	f	l1	l	L	NR KAT.	NR KAT.
50/52	66	71	10	12	10	86	75	SLE-50086075	SLE-52086075
							95	SLE-50086095	SLE-52086095
							115	SLE-50086115	SLE-52086115
							155	SLE-50086155	SLE-52086155
						96	95	SLE-50096095	SLE-52096095
							115	SLE-50096115	SLE-52096115
							155	SLE-50096155	SLE-52096155
							195	SLE-50096195	SLE-52096195
						116	115	SLE-50116115	SLE-52116115
							155	SLE-50116155	SLE-52116155
							195	SLE-50116195	SLE-52116195
						136	115	SLE-50136115	SLE-52136115
							155	SLE-50136155	SLE-52136155
							195	SLE-50136195	SLE-52136195
						156	135	SLE-50156135	SLE-52156135
							155	SLE-50156155	SLE-52156155
							195	SLE-50156195	SLE-52156195
						176	155	SLE-50176155	SLE-52176155
							195	SLE-50176195	SLE-52176195
							235	SLE-50176235	SLE-52176235
						196	155	SLE-50196155	SLE-52196155
							195	SLE-50196195	SLE-52196195
							235	SLE-50196235	SLE-52196235
						216	155	SLE-50216155	SLE-52216155
							195	SLE-50216195	SLE-52216195
							235	SLE-50216235	SLE-52216235
						236	155	SLE-50236155	SLE-52236155
							195	SLE-50236195	SLE-52236195
							235	SLE-50236235	SLE-52236235
							275	SLE-50236275	SLE-52236275
						256	155	SLE-50256155	SLE-52256155
							195	SLE-50256195	SLE-52256195
235	SLE-50256235	SLE-52256235							
275	SLE-50256275	SLE-52256275							

Słup prowadzący

Leader pin

SXE



Uwaga: Dostępne także z powłoką DLC.
W celu zamówienia skontaktuj się z nami.
 Note: Available with DLC coating. Contact FCPK for details.

d	d1	d2	s	l1	l	L	NR KAT.	NR KAT.
9/10	14	16	3	4	9	20	SXE-09009020	SXE-10009020
						35	SXE-09009035	SXE-10009035
						50	SXE-09009050	SXE-10009050
					12	25	SXE-09012025	SXE-10012025
						45	SXE-09012045	SXE-10012045
						65	SXE-09012065	SXE-10012065
					17	20	SXE-09017020	SXE-10017020
						30	SXE-09017030	SXE-10017030
					22	25	SXE-09022025	SXE-10022025
						35	SXE-09022035	SXE-10022035
						55	SXE-09022055	SXE-10022055
					27	30	SXE-09027030	SXE-10027030
						50	SXE-09027050	SXE-10027050
					36	25	SXE-09036025	SXE-10036025
						45	SXE-09036045	SXE-10036045
					46	30	SXE-09046030	SXE-10046030
45	SXE-09046045	SXE-10046045						
56	35	SXE-09056035	SXE-10056035					
	60	SXE-09056060	SXE-10056060					
14/15	20	25	6	7	17	35	SXE-14017035	SXE-15017035
						55	SXE-14017055	SXE-15017055
						75	SXE-14017075	SXE-15017075
						95	SXE-14017095	SXE-15017095

Słup prowadzący

Leader pin

SXE

d	d1	d2	s	l1	l	L	NR KAT.	NR KAT.
14/15	20	25	6	7	22	20	SXE-14022020	SXE-15022020
						35	SXE-14022035	SXE-15022035
						40	SKE-14022040	SXE-15022040
						45	SXE-14022045	SXE-15022045
						50	SXE-14022050	SXE-15022050
						55	SXE-14022055	SXE-15022055
						65	SXE-14022065	SXE-15022065
						70	SXE-14022070	SXE-15022070
						90	SXE-14022090	SXE-15022090
						110	SXE-14022110	SXE-15022110
					27	20	SXE-14027020	SXE-15027020
						35	SXE-14027035	SXE-15027035
						40	SXE-14027040	SXE-15027040
						45	SXE-14027045	SXE-15027045
						55	SXE-14027055	SXE-15027055
						65	SXE-14027065	SXE-15027065
						85	SXE-14027085	SXE-15027085
						105	SXE-14027105	SXE-15027105
					36	20	SXE-14036020	SXE-15036020
						35	SXE-14036035	SXE-15036035
						40	SXE-14036040	SXE-15036040
						45	SXE-14036045	SXE-15036045
						55	SXE-14036055	SXE-15036055
						65	SXE-14036065	SXE-15036065
						75	SXE-14036075	SXE-15036075
						95	SXE-14036095	SXE-15036095
					46	20	SXE-14046020	SXE-15046020
						35	SXE-14046035	SXE-15046035
						45	SXE-14046045	SXE-15046045
						65	SXE-14046065	SXE-15046065
						85	SXE-14046085	SXE-15046085
						105	SXE-14046105	SXE-15046105
					56	20	SXE-14056020	SXE-15056020
						35	SXE-14056035	SXE-15056035
						55	SXE-14056055	SXE-15056055
						75	SXE-14056075	SXE-15056075
						95	SXE-14056095	SXE-15056095
					66	55	SXE-14066055	SXE-15066055
						65	SXE-14066065	SXE-15066065
						95	SXE-14066095	SXE-15066095
					76	55	SXE-14076055	SXE-15076055
						95	SXE-14076095	SXE-15076095
86	55	SXE-14086055	SXE-15086055					
	95	SXE-14086095	SXE-15086095					

Słup prowadzący

Leader pin

SXE

d	d1	d2	s	l1	l	L	NR KAT.	NR KAT.
18/20	26	31	6	7	17	35	SXE-18017035	SXE-20017035
						55	SXE-18017055	SXE-20017055
						75	SXE-18017075	SXE-20017075
						95	SXE-18017095	SXE-20017095
					22	20	SXE-18022020	SXE-20022020
						35	SXE-18022035	SXE-20022035
						40	SXE-18022040	SXE-20022040
						45	SXE-18022045	SXE-20022045
						50	SXE-18022050	SXE-20022050
						55	SXE-18022055	SXE-20022055
						60	SXE-18022060	SXE-20022060
						65	SXE-18022065	SXE-20022065
						70	SXE-18022070	SXE-20022070
						80	SXE-18022080	SXE-20022080
						85	SXE-18022085	SXE-20022085
						115	SXE-18022115	SXE-20022115
					27	20	SXE-18027020	SXE-20027020
						35	SXE-18027035	SXE-20027035
						40	SXE-18027040	SXE-20027040
						45	SXE-18027045	SXE-20027045
						50	SXE-18027050	SXE-20027050
						55	SXE-18027055	SXE-20027055
						60	SXE-18027060	SXE-20027060
						65	SXE-18027065	SXE-20027065
						70	SXE-18027070	SXE-20027070
						80	SXE-18027080	SXE-20027080
						85	SXE-18027085	SXE-20027085
						105	SXE-18027105	SXE-20027105
					125	SXE-18027125	SXE-20027125	
					36	20	SXE-18036020	SXE-20036020
						35	SXE-18036035	SXE-20036035
						40	SXE-18036040	SXE-20036040
						45	SXE-18036045	SXE-20036045
						50	SXE-18036050	SXE-20036050
						55	SXE-18036055	SXE-20036055
						60	SXE-18036060	SXE-20036060
65	SXE-18036065	SXE-20036065						
70	SXE-18036070	SXE-20036070						
75	SXE-18036075	SXE-20036075						
80	SXE-18036080	SXE-20036080						
95	SXE-18036095	SXE-20036095						
115	SXE-18036115	SXE-20036115						
135	SXE-18036135	SXE-20036135						

Słup prowadzący

Leader pin

SXE

d	d1	d2	s	l1	l	L	NR KAT.	NR KAT.					
18/20	26	31	6	7	46	20	SXE-18046020	SXE-20046020					
						45	SXE-18046045	SXE-20046045					
						65	SXE-18046065	SXE-20046065					
						85	SXE-18046085	SXE-20046085					
						105	SXE-18046105	SXE-20046105					
						135	SXE-18046135	SXE-20046135					
						165	SXE-18046165	SXE-20046165					
					56	20	SXE-18056020	SXE-20056020					
						35	SXE-18056035	SXE-20056035					
						55	SXE-18056055	SXE-20056055					
						75	SXE-18056075	SXE-20056075					
						95	SXE-18056095	SXE-20056095					
					66	55	SXE-18066055	SXE-20066055					
						75	SXE-18066075	SXE-20066075					
						95	SXE-18066095	SXE-20066095					
					76	55	SXE-18076055	SXE-20076055					
						75	SXE-18076075	SXE-20076075					
						95	SXE-18076095	SXE-20076095					
					86	55	SXE-18086055	SXE-20086055					
						75	SXE-18086075	SXE-20086075					
						95	SXE-18086095	SXE-20086095					
					96	55	SXE-18096055	SXE-20096055					
						95	SXE-18096095	SXE-20096095					
					116	115	SXE-18116115	SXE-20116115					
					22/24	30	35	6	7	17	35	SXE-22017035	SXE-24017035
											55	SXE-22017055	SXE-24017055
											75	SXE-22017075	SXE-24017075
										22	35	SXE-22022035	SXE-24022035
											55	SXE-22022055	SXE-24022055
											75	SXE-22022075	SXE-24022075
105	SXE-22022105	SXE-24022105											
130	SXE-22022130	SXE-24022130											
27	25	SXE-22027025	SXE-24027025										
	45	SXE-22027045	SXE-24027045										
	50	SXE-22027050	SXE-24027050										
	60	SXE-22027060	SXE-24027060										
	65	SXE-22027065	SXE-24027065										
	70	SXE-22027070	SXE-24027070										
	80	SXE-22027080	SXE-24027080										
	85	SXE-22027085	SXE-24027085										
	105	SXE-22027105	SXE-24027105										
125	SXE-22027125	SXE-24027125											
165	SXE-22027165	SXE-24027165											

Słup prowadzący

Leader pin

SXE

d	d1	d2	s	l1	l	L	NR KAT.	NR KAT.
22/24	30	35	6	7	36	25	SXE-22036025	SXE-24036025
						45	SXE-22036045	SXE-24036045
						50	SXE-22036050	SXE-24036050
						55	SXE-22036055	SXE-24036055
						60	SXE-22036060	SXE-24036060
						70	SXE-22036070	SXE-24036070
						75	SXE-22036075	SXE-24036075
						80	SXE-22036080	SXE-24036080
						95	SXE-22036095	SXE-24036095
						115	SXE-22036115	SXE-24036115
						135	SXE-22036135	SXE-24036135
					165	SXE-22036165	SXE-24036165	
					46	25	SXE-22046025	SXE-24046025
						45	SXE-22046045	SXE-24046045
						50	SXE-22046050	SXE-24046050
						60	SXE-22046060	SXE-24046060
						65	SXE-22046065	SXE-24046065
						70	SXE-22046070	SXE-24046070
						80	SXE-22046080	SXE-24046080
						85	SXE-22046085	SXE-24046085
						105	SXE-22046105	SXE-24046105
						125	SXE-22046125	SXE-24046125
						165	SXE-22046165	SXE-24046165
					56	25	SXE-22056025	SXE-24056025
						45	SXE-22056045	SXE-24056045
						55	SXE-22056055	SXE-24056055
						75	SXE-22056075	SXE-24056075
						95	SXE-22056095	SXE-24056095
						115	SXE-22056115	SXE-24056115
					66	165	SXE-22056165	SXE-24056165
						55	SXE-22066055	SXE-24066055
						75	SXE-22066075	SXE-24066075
					76	95	SXE-22066095	SXE-24066095
						25	SXE-22076025	SXE-24076025
						45	SXE-22076045	SXE-24076045
						55	SXE-22076055	SXE-24076055
						75	SXE-22076075	SXE-24076075
						95	SXE-22076095	SXE-24076095
					86	115	SXE-22076115	SXE-24076115
						55	SXE-22086055	SXE-24086055
						75	SXE-22086075	SXE-24086075
					96	95	SXE-22086095	SXE-24086095
55	SXE-22096055	SXE-24096055						
75	SXE-22096075	SXE-24096075						
116	95	SXE-22096095	SXE-24096095					
	75	SXE-22116075	SXE-24116075					
	115	SXE-22116115	SXE-24116115					

Słup prowadzący

Leader pin

SXE

d	d1	d2	s	l1	l	L	NR KAT.	NR KAT.
22/24	30	35	6	7	116	155	SXE-22116155	SXE-24116155
					136	135	SXE-22136135	SXE-24136135
					156	155	SXE-22156155	SXE-24156155
30/32	42	47	6	7	22	35	SXE-30022035	SXE-32022035
						75	SXE-30022075	SXE-32022075
						130	SXE-30022130	SXE-32022130
					27	45	SXE-30027045	SXE-32027045
						65	SXE-30027065	SXE-32027065
						105	SXE-30027105	SXE-32027105
					36	165	SXE-30027165	SXE-32027165
						55	SXE-30036055	SXE-32036055
						75	SXE-30036075	SXE-32036075
						95	SXE-30036095	SXE-32036095
					46	115	SXE-30036115	SXE-32036115
						155	SXE-30036155	SXE-32036155
						45	SXE-30046045	SXE-32046045
						65	SXE-30046065	SXE-32046065
						85	SXE-30046085	SXE-32046085
					56	105	SXE-30046105	SXE-32046105
						125	SXE-30046125	SXE-32046125
						165	SXE-30046165	SXE-32046165
						55	SXE-30056055	SXE-32056055
						75	SXE-30056075	SXE-32056075
						95	SXE-30056095	SXE-32056095
					66	115	SXE-30056115	SXE-32056115
						135	SXE-30056135	SXE-32056135
						175	SXE-30056175	SXE-32056175
						55	SXE-30066055	SXE-32066055
						75	SXE-30066075	SXE-32066075
						95	SXE-30066095	SXE-32066095
					76	115	SXE-30066115	SXE-32066115
						135	SXE-30066135	SXE-32066135
						175	SXE-30066175	SXE-32066175
						55	SXE-30076055	SXE-32076055
						75	SXE-30076075	SXE-32076075
					86	95	SXE-30076095	SXE-32076095
						115	SXE-30076115	SXE-32076115
						155	SXE-30076155	SXE-32076155
						55	SXE-30086055	SXE-32086055
86	75	SXE-30086075	SXE-32086075					
	95	SXE-30086095	SXE-32086095					
	115	SXE-30086115	SXE-32086115					
	155	SXE-30086155	SXE-32086155					

Słup prowadzący

Leader pin

SXE

d	d1	d2	s	l1	l	L	NR KAT.	NR KAT.
30/32	42	47	6	7	96	55	SXE-30096055	SXE-32096055
						75	SXE-30096075	SXE-32096075
						95	SXE-30096095	SXE-32096095
						115	SXE-30096115	SXE-32096115
						155	SXE-30096155	SXE-32096155
					116	75	SXE-30116075	SXE-32116075
						115	SXE-30116115	SXE-32116115
						155	SXE-30116155	SXE-32116155
					136	95	SXE-30136095	SXE-32136095
						115	SXE-30136115	SXE-32136115
						155	SXE-30136155	SXE-32136155
					156	115	SXE-30156115	SXE-32156115
						155	SXE-30156155	SXE-32156155
					176	135	SXE-30176135	SXE-32176135
						175	SXE-30176175	SXE-32176175
					196	155	SXE-30196155	SXE-32196155
						195	SXE-30196195	SXE-32196195
					40/42	54	60	10
135	SXE-40036135	SXE-42036135						
46	95	SXE-40046095	SXE-42046095					
	165	SXE-40046165	SXE-42046165					
56	75	SXE-40056075	SXE-42056075					
	115	SXE-40056115	SXE-42056115					
	155	SXE-40056155	SXE-42056155					
66	195	SXE-40056195	SXE-42056195					
	75	SXE-40066075	SXE-42066075					
76	135	SXE-40066135	SXE-42066135					
	75	SXE-40076075	SXE-42076075					
76	115	SXE-40076115	SXE-42076115					
	175	SXE-40076175	SXE-42076175					
	75	SXE-40086075	SXE-42086075					
86	135	SXE-40086135	SXE-42086135					
	75	SXE-40096075	SXE-42096075					
96	115	SXE-40096115	SXE-42096115					
	155	SXE-40096155	SXE-42096155					
	95	SXE-40116095	SXE-42116095					
116	135	SXE-40116135	SXE-42116135					
	195	SXE-40116195	SXE-42116195					
	95	SXE-40136095	SXE-42136095					
136	135	SXE-40136135	SXE-42136135					
	215	SXE-40136215	SXE-42136215					
	115	SXE-40156115	SXE-42156115					
156	155	SXE-40156155	SXE-42156155					
	215	SXE-40156215	SXE-42156215					
	135	SXE-40176135	SXE-42176135					
176	155	SXE-40176155	SXE-42176155					
	175	SXE-40176175	SXE-42176175					

Słup prowadzący

Leader pin

SXE

d	d1	d2	s	l1	l	L	NR KAT.	NR KAT.
40/42	54	60	10	7	196	155	SXE-40196155	SXE-42196155
						195	SXE-40196195	SXE-42196195
						235	SXE-40196235	SXE-42196235
50/52	66	71	10	10	56	75	SXE-50056075	SXE-52056075
						95	SXE-50056095	SXE-52056095
						115	SXE-50056115	SXE-52056115
						155	SXE-50056155	SXE-52056155
					66	75	SXE-50066075	SXE-52066075
						95	SXE-50066095	SXE-52066095
						115	SXE-50066115	SXE-52066115
						155	SXE-50066155	SXE-52066155
					76	75	SXE-50076075	SXE-52076075
						95	SXE-50076095	SXE-52076095
						115	SXE-50076115	SXE-52076115
						135	SXE-50076135	SXE-52076135
						155	SXE-50076155	SXE-52076155
						175	SXE-50076175	SXE-52076175
					86	75	SXE-50086075	SXE-52086075
						95	SXE-50086095	SXE-52086095
						115	SXE-50086115	SXE-52086115
						155	SXE-50086155	SXE-52086155
					96	95	SXE-50096095	SXE-52096095
						115	SXE-50096115	SXE-52096115
						135	SXE-50096135	SXE-52096135
						155	SXE-50096155	SXE-52096155
						175	SXE-50096175	SXE-52096175
						195	SXE-50096195	SXE-52096195
					116	215	SXE-50096215	SXE-52096215
						115	SXE-50116115	SXE-52116115
						135	SXE-50116135	SXE-52116135
						155	SXE-50116155	SXE-52116155
						175	SXE-50116175	SXE-52116175
						195	SXE-50116195	SXE-52116195
					136	215	SXE-50116215	SXE-52116215
						115	SXE-50136115	SXE-52136115
						135	SXE-50136135	SXE-52136135
						155	SXE-50136155	SXE-52136155
						175	SXE-50136175	SXE-52136175
						195	SXE-50136195	SXE-52136195
					156	215	SXE-50136215	SXE-52136215
						135	SXE-50156135	SXE-52156135
						155	SXE-50156155	SXE-52156155

Słup prowadzący

Leader pin

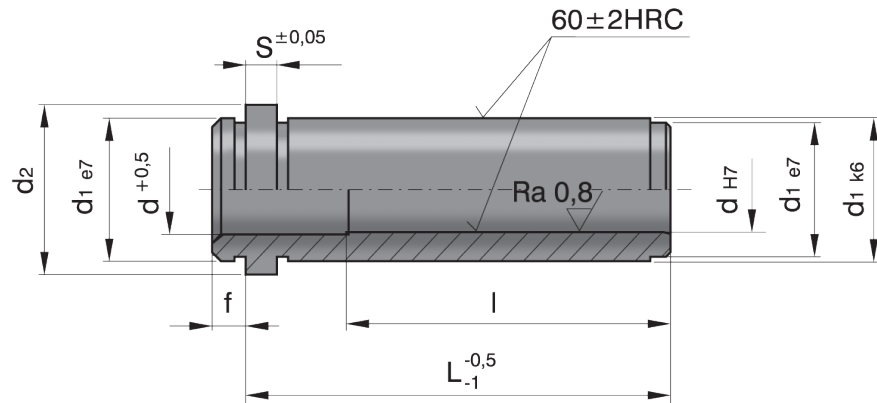
SXE

d	d1	d2	s	l1	l	L	NR KAT.	NR KAT.
50/52	66	71	10	10	156	175	SXE-50156175	SXE-52156175
						195	SXE-50156195	SXE-52156195
						215	SXE-50156215	SXE-52156215
					176	155	SXE-50176155	SXE-52176155
						175	SXE-50176175	SXE-52176175
						195	SXE-50176195	SXE-52176195
						215	SXE-50176215	SXE-52176215
					196	245	SXE-50176245	SXE-52176245
						155	SXE-50196155	SXE-52196155
						175	SXE-50196175	SXE-52196175
						195	SXE-50196195	SXE-52196195
					216	215	SXE-50196215	SXE-52196215
						245	SXE-50196245	SXE-52196245
						155	SXE-50196155	SXE-52196155
						175	SXE-50216175	SXE-52216175
					236	195	SXE-50216195	SXE-52216195
						215	SXE-50216215	SXE-52216215
						245	SXE-50216245	SXE-52216245
						175	SXE-50236175	SXE-52236175
					246	195	SXE-50236195	SXE-52236195
						215	SXE-50236215	SXE-52236215
						245	SXE-50236245	SXE-52236245
						175	SXE-50246175	SXE-52246175
					256	195	SXE-50246195	SXE-52246195
						215	SXE-50246215	SXE-52246215
						245	SXE-50246245	SXE-52246245
						175	SXE-50256175	SXE-52256175
						195	SXE-50256195	SXE-52256195
215	SXE-50256215	SXE-52256215						
245	SXE-50256245	SXE-52256245						

Tuleja prowadząca

Leader pin bushing

TPE



Uwaga: Dostępne także z powłoką DLC.
W celu zamówienia skontaktuj się z nami.
 Note: Available with DLC coating. Contact FCPK for details.

d	d1	d2	s	f	l	L	NR KAT.	NR KAT.
9/10	14	16	3	3	12	9	TPE-09009	TPE-10009
					15	12	TPE-09012	TPE-10012
					20	17	TPE-09017	TPE-10017
					25	22	TPE-09022	TPE-10022
					30	27	TPE-09027	TPE-10027
					39	36	TPE-09036	TPE-10036
					46	46	TPE-09046	TPE-10046
						56	TPE-09056	TPE-10056
						66	TPE-09066	TPE-10066
					14/15	20	25	6
26	17	TPE-14017	TPE-15017					
31	22	TPE-14022	TPE-15022					
36	27	TPE-14027	TPE-15027					
45	36	TPE-14036	TPE-15036					
55	46	TPE-14046	TPE-15046					
56	56	TPE-14056	TPE-15056					
	66	TPE-14066	TPE-15066					
	76	TPE-14076	TPE-15076					
	86	TPE-14086	TPE-15086					
	96	TPE-14096	TPE-15096					
18/20	26	31	6	9	116	46	TPE-14116	TPE-15116
					26	17	TPE-18017	TPE-20017
					31	22	TPE-18022	TPE-20022
					36	27	TPE-18027	TPE-20027
					45	36	TPE-18036	TPE-20036
					55	46	TPE-18046	TPE-20046
					65	56	TPE-18056	TPE-20056
					75	66	TPE-18066	TPE-20066
					76	76	TPE-18076	TPE-20076
						86	TPE-18086	TPE-20086
96	TPE-18096	TPE-20096						
116	TPE-18116	TPE-20116						
					136	46	TPE-18136	TPE-20136

Tuleja prowadząca

Leader pin bushing

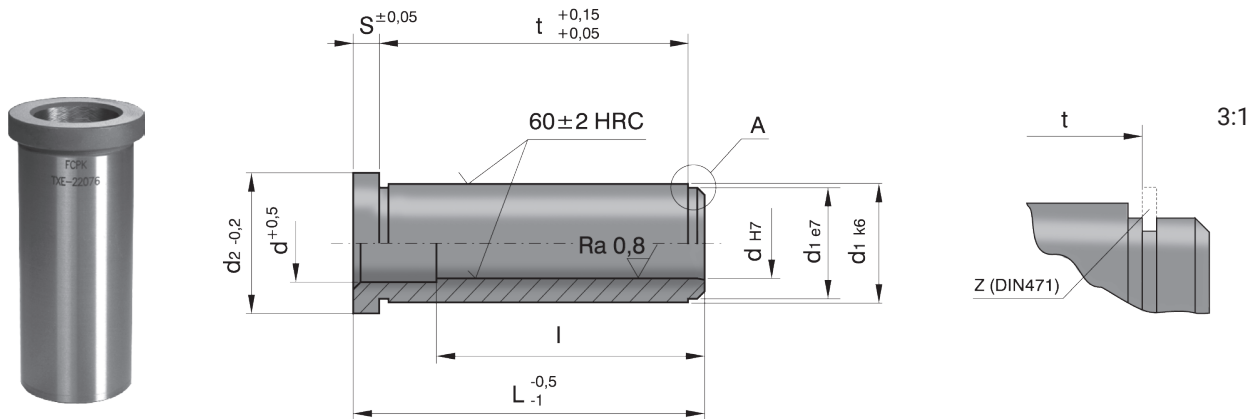
TPE

d	d1	d2	s	f	l	L	NR KAT.	NR KAT.
22/24	30	35	6	9	26	17	TPE-22017	TPE-24017
					31	22	TPE-22022	TPE-24022
					36	27	TPE-22027	TPE-24027
					45	36	TPE-22036	TPE-24036
					55	46	TPE-22046	TPE-24046
					65	56	TPE-22056	TPE-24056
					75	66	TPE-22066	TPE-24066
					85	76	TPE-22076	TPE-24076
					95	86	TPE-22086	TPE-24086
					96	96	TPE-22096	TPE-24096
						116	TPE-22116	TPE-24116
						136	TPE-22136	TPE-24136
						156	TPE-22156	TPE-24156
30/32	42	47	6	9	31	22	TPE-30022	TPE-32022
					36	27	TPE-30027	TPE-32027
					45	36	TPE-30036	TPE-32036
					55	46	TPE-30046	TPE-32046
					65	56	TPE-30056	TPE-32056
					75	66	TPE-30066	TPE-32066
					85	76	TPE-30076	TPE-32076
					95	86	TPE-30086	TPE-32086
					105	96	TPE-30096	TPE-32096
					116	116	TPE-30116	TPE-32116
						136	TPE-30136	TPE-32136
						156	TPE-30156	TPE-32156
						176	TPE-30176	TPE-32176
196	TPE-30196	TPE-32196						
40/42	54	60	10	12	48	36	TPE-40036	TPE-42036
					58	46	TPE-40046	TPE-42046
					68	56	TPE-40056	TPE-42056
					78	66	TPE-40066	TPE-42066
					88	76	TPE-40076	TPE-42076
					98	86	TPE-40086	TPE-42086
					108	96	TPE-40096	TPE-42096
					128	116	TPE-40166	TPE-42166
					136	136	TPE-40136	TPE-42136
						156	TPE-40156	TPE-42156
						176	TPE-40176	TPE-42176
						196	TPE-40196	TPE-42196
					50/52	66	71	10
78	66	TPE-50066	TPE-52066					
88	76	TPE-50076	TPE-52076					
98	86	TPE-50086	TPE-52086					
108	96	TPE-50096	TPE-52096					
128	116	TPE-50116	TPE-52116					
136	136	TPE-50136	TPE-52136					
	156	TPE-50156	TPE-52156					
	176	TPE-50176	TPE-52176					
	196	TPE-50196	TPE-52196					
	216	TPE-50216	TPE-52216					
	236	TPE-50236	TPE-52236					
256	TPE-50256	TPE-52256						

Tuleja prowadząca

Leader pin bushing

TXE



Pierścień "Z" należy zamawiać osobno.
"Z" ring – separate order.

(*) – Pozycje oznaczone gwiazdką dotyczą wykonania bez wprowadzenia d1 e7.
Position with (*) without d1 e7 lead.

Uwaga: Dostępne także z powłoką DLC.
W celu zamówienia skontaktuj się z nami.
Note: Available with DLC coating. Contact FCPK for details.

d	d1	d2	s	z	t	l	L	NR KAT.	NR KAT.
9/10	14	16	3	Z14/14x1		9	9	TXE-09009 *	TXE-10009 *
					5,5	12	12	TXE-09012 *	TXE-10012 *
					10,5	17	17	TXE-09017	TXE-10017
					15,5	22	22	TXE-09022	TXE-10022
					20,5	27	27	TXE-09027	TXE-10027
					29,5	36	36	TXE-09036	TXE-10036
					39,5	46	46	TXE-09046	TXE-10046
					49,5		56	TXE-09056	TXE-10056
14/15	20	25	6	Z20/20x1,2		12	12	TXE-14012 *	TXE-15012 *
					7	17	17	TXE-14017 *	TXE-15017 *
					12	22	22	TXE-14022	TXE-15022
					17	27	27	TXE-14027	TXE-15027
					26	36	36	TXE-14036	TXE-15036
					36	46	46	TXE-14046	TXE-15046
					46	56	56	TXE-14056	TXE-15056
					56		66	TXE-14066	TXE-15066
					66		76	TXE-14076	TXE-15076
					76		86	TXE-14086	TXE-15086
18/20	26	31	6	Z26/26x1,2		12	12	TXE-18022	TXE-20022
					7	17	17	TXE-18017 *	TXE-20017 *
					17	27	27	TXE-18027	TXE-20027
					26	36	36	TXE-18036	TXE-20036
					36	46	46	TXE-18046	TXE-20046
					46	56	56	TXE-18056	TXE-20056
					56	66	66	TXE-18066	TXE-20066
					66	76	76	TXE-18076	TXE-20076
					76		86	TXE-18086	TXE-20086
					86		96	TXE-18096	TXE-20096
					106		116	TXE-18116	TXE-20116

Tuleja prowadząca

Leader pin bushing

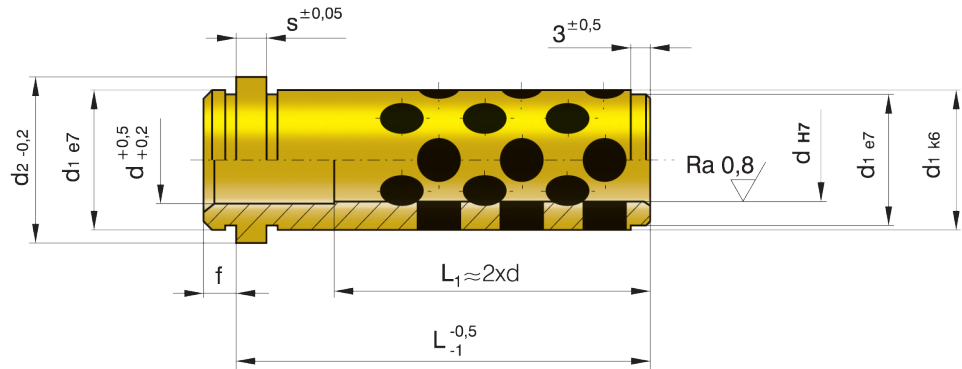
TXE

d	d1	d2	s	z	t	l	L	NR KAT.	NR KAT.
22/24	30	35	6	Z30/30x1,5		17	17	TXE-22017	TXE-24017
					11	22	22	TXE-22022	TXE-24022
					16	27	27	TXE-22027	TXE-24027
					25	36	36	TXE-22036	TXE-24036
					35	46	46	TXE-22046	TXE-24046
					45	56	56	TXE-22056	TXE-24056
					55	66	66	TXE-22066	TXE-24066
					65	76	76	TXE-22076	TXE-24076
					75	86	86	TXE-22086	TXE-24086
					85	96	96	TXE-22096	TXE-24096
					105		116	TXE-22116	TXE-24116
					125		136	TXE-22136	TXE-24136
					145		156	TXE-22156	TXE-24156
30/32	42	47	6	Z42/42x1,75		22	22	TXE-30022	TXE-32022
					14	27	27	TXE-30027	TXE-32027
					23	36	36	TXE-30036	TXE-32036
					33	46	46	TXE-30046	TXE-32046
					43	56	56	TXE-30056	TXE-32056
					53	66	66	TXE-30066	TXE-32066
					63	76	76	TXE-30076	TXE-32076
					73	86	86	TXE-30086	TXE-32086
					83	96	96	TXE-30096	TXE-32096
					103	116	116	TXE-30116	TXE-32116
					123		136	TXE-30136	TXE-32136
					143		156	TXE-30156	TXE-32156
					163		176	TXE-30176	TXE-32176
40/42	54	60	10	Z55/55x2	18	36	36	TXE-40036	TXE-42036
					28	46	46	TXE-40046	TXE-42046
					38	56	56	TXE-40056	TXE-42056
					48	66	66	TXE-40066	TXE-42066
					58	76	76	TXE-40076	TXE-42076
					68	86	86	TXE-40086	TXE-42086
					78	96	96	TXE-40096	TXE-42096
					98	116	116	TXE-40116	TXE-42116
					118	136	136	TXE-40136	TXE-42136
					138		156	TXE-40156	TXE-42156
					158		176	TXE-40176	TXE-42176
					178		196	TXE-40196	TXE-42196
50/52	66	71	10	Z65/65x2,5	38	56	56	TXE-50056	TXE-52056
					48	66	66	TXE-50066	TXE-52066
					58	76	76	TXE-50076	TXE-52076
					68	86	86	TXE-50086	TXE-52086
					78	96	96	TXE-50096	TXE-52096
					98	116	116	TXE-50116	TXE-52116
					118	136	136	TXE-50136	TXE-52136
					138		156	TXE-50156	TXE-52156
					158		176	TXE-50176	TXE-52176
					178		196	TXE-50196	TXE-52196
					198		216	TXE-50216	TXE-52216
					218		236	TXE-50236	TXE-52236
					228		246	TXE-50246	TXE-52246
238	256	TXE-50256	TXE-52256						

Tuleja prowadząca samosmarująca

Self-lubricating guide bushing

TPG



Mat: Brąz aluminiowy + grafit.
Aluminium bronze + graphite.

d	d1	d2	s	f	L	NR KAT.	NR KAT.
9/10	14	16	3	5	12	TPG-09012	TPG-10012
					17	TPG-09017	TPG-10017
					22	TPG-09022	TPG-10022
					27	TPG-09027	TPG-10027
					36	TPG-09036	TPG-10036
					46	TPG-09046	TPG-10046
					56	TPG-09056	TPG-10056
14/15	20	25	6	6	17	TPG-14017	TPG-15017
					22	TPG-14022	TPG-15022
					27	TPG-14027	TPG-15027
					36	TPG-14036	TPG-15036
					46	TPG-14046	TPG-15046
					56	TPG-14056	TPG-15056
					66	TPG-14066	TPG-15066
					76	TPG-14076	TPG-15076
18/20	26	31	6	8	86	TPG-14086	TPG-15086
					17	TPG-18017	TPG-20017
					22	TPG-18022	TPG-20022
					27	TPG-18027	TPG-20027
					36	TPG-18036	TPG-20036
					46	TPG-18046	TPG-20046
					56	TPG-18056	TPG-20056
					66	TPG-18066	TPG-20066
					76	TPG-18076	TPG-20076
86	TPG-18086	TPG-20086					
					96	TPG-18096	TPG-20096

Tuleja prowadząca samosmarująca

Self-lubricating guide bushing

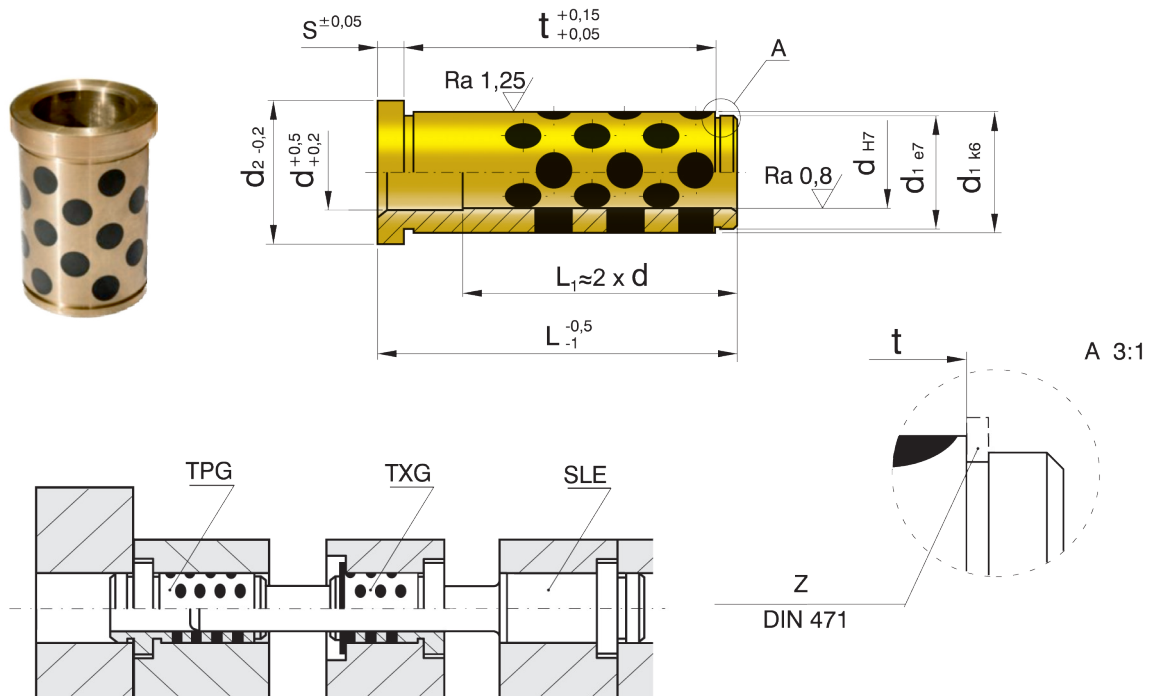
TPG

d	d1	d2	s	f	L	NR KAT.	NR KAT.
22/24	30	35	6	8	22	TPG-22022	TPG-24022
					27	TPG-22027	TPG-24027
					36	TPG-22036	TPG-24036
					46	TPG-22046	TPG-24046
					56	TPG-22056	TPG-24056
					66	TPG-22066	TPG-24066
					76	TPG-22076	TPG-24076
					86	TPG-22086	TPG-24086
					96	TPG-22096	TPG-24096
					116	TPG-22116	TPG-24116
					136	TPG-22136	TPG-24136
30/32	42	47	6	8	27	TPG-30027	TPG-32027
					36	TPG-30036	TPG-32036
					46	TPG-30046	TPG-32046
					56	TPG-30056	TPG-32056
					66	TPG-30066	TPG-32066
					76	TPG-30076	TPG-32076
					86	TPG-30086	TPG-32086
					96	TPG-30096	TPG-32096
					116	TPG-30116	TPG-32116
					136	TPG-30136	TPG-32136
					40/42	54	60
56	TPG-40056	TPG-42056					
66	TPG-40066	TPG-42066					
76	TPG-40076	TPG-42076					
86	TPG-40086	TPG-42086					
96	TPG-40096	TPG-42096					
116	TPG-40116	TPG-42116					
136	TPG-40136	TPG-42136					
156	TPG-40156	TPG-42156					
196	TPG-40196	TPG-42196					

Tuleja prowadząca samosmarująca

Self-lubricating guide bushing

TXG



Pierścień "Z" należy zamawiać osobno.
Ring "Z" must be ordered separately.

Mat: Brąz aluminiowy + grafit
Aluminium bronze + graphite

d	d1	d2	s	Z	t	L	NR KAT.	NR KAT.
9/10	14	16	3	Z14/14x1	5,5	12	TXG-09012	TXG-10012
					10,5	17	TXG-09017	TXG-10017
					15,5	22	TXG-09022	TXG-10022
					20,5	27	TXG-09027	TXG-10027
					29,5	36	TXG-09036	TXG-10036
					39,5	46	TXG-09046	TXG-10046
					49,5	56	TXG-09056	TXG-10056
12	18	23	6	Z18/18x1,2	7	17	TXG-12017	
					12	22	TXG-12022	
					17	27	TXG-12027	
					26	36	TXG-12036	
					36	46	TXG-12046	
					46	56	TXG-12056	
14/15	20	25	6	Z20/20x1,2	7	17	TXG-14017	TXG-15017
					12	22	TXG-14022	TXG-15022
					17	27	TXG-14027	TXG-15027
					26	36	TXG-14036	TXG-15036
					36	46	TXG-14046	TXG-15046
					46	56	TXG-14056	TXG-15056
16	22	27	6	Z22/22x1,2	12	22	TXG-16022	
					17	27	TXG-16027	
					26	36	TXG-16036	
					36	46	TXG-16046	
					46	56	TXG-16056	

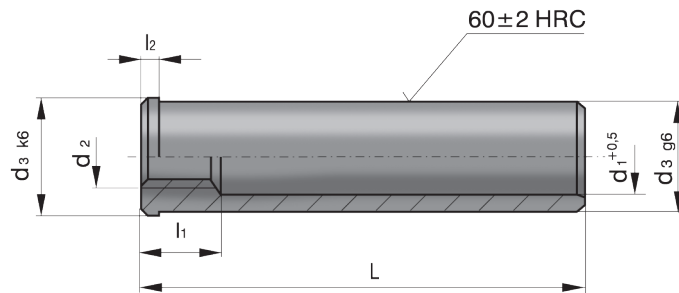
Tuleja prowadząca samosmarująca
Self-lubricating guide bushing
TXG

d	d1	d2	s	Z	t	L	NR KAT.	NR KAT.
18/20	26	31	6	Z26x1,2	7	17	TXG-18017	TXG-20017
					12	22	TXG-18022	TXG-20022
					17	27	TXG-18027	TXG-20027
					26	36	TXG-18036	TXG-20036
					36	46	TXG-18046	TXG-20046
					46	56	TXG-18056	TXG-20056
					56	66	TXG-18066	TXG-20066
					66	76	TXG-18076	TXG-20076
22/24	30	35	6	Z30/30x1,5	11	22	TXG-22022	TXG-24022
					16	27	TXG-22027	TXG-24027
					25	36	TXG-22036	TXG-24036
					35	46	TXG-22046	TXG-24046
					45	56	TXG-22056	TXG-24056
					55	66	TXG-22066	TXG-24066
					65	76	TXG-22076	TXG-24076
					75	86	TXG-22086	TXG-24086
30/32	42	47	6	Z42/42x1,75	85	96	TXG-22096	TXG-24096
					14	27	TXG-30027	TXG-32027
					23	36	TXG-30036	TXG-32036
					33	46	TXG-30046	TXG-32046
					43	56	TXG-30056	TXG-32056
					53	66	TXG-30066	TXG-32066
					63	76	TXG-30076	TXG-32076
					73	86	TXG-30086	TXG-32086
40/42	54	60	10	Z55/55x2,0	83	96	TXG-30096	TXG-32096
					103	116	TXG-30116	TXG-32116
					28	46	TXG-40046	TXG-42046
					38	56	TXG-40056	TXG-42056
					48	66	TXG-40066	TXG-42066
					58	76	TXG-40076	TXG-42076
					68	86	TXG-40086	TXG-42086
					78	96	TXG-40096	TXG-42096
98	116	TXG-40116	TXG-42116					
118	136	TXG-40136	TXG-42136					

Tuleja ustalająca

Locating sleeve

TUE



l_1	l_2	d_1	d_2	d_3	L	NR KAT.
8	2	11	M8	14	20	TUE-14020
					30	TUE-14030
					40	TUE-14040
					50	TUE-14050
					60	TUE-14060
					70	TUE-14070
					80	TUE-14080
					100	TUE-14100
13	2	16	M12	20	30	TUE -20030
					40	TUE -20040
					60	TUE -20060
					80	TUE -20080
					100	TUE-20100
					120	TUE-20120
					140	TUE-20140
					160	TUE-20160
13	2,5	21	M12	26	30	TUE -26030
					40	TUE -26040
					60	TUE -26060
					80	TUE -26080
					100	TUE-26100
					120	TUE-26120
					140	TUE-26140
					160	TUE-26160
					180	TUE-26180
13	2,5	25	M12	30	40	TUE -30040
					60	TUE -30060
					80	TUE-30080
					100	TUE-30100
					120	TUE-30120
					140	TUE-30140
					160	TUE-30160
					180	TUE-30180
					200	TUE-30200
240	TUE-30240					

Tuleja ustalająca

Locating sleeve

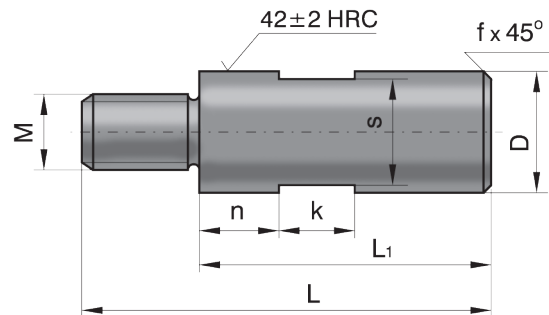
TUE

l1	l2	d1	d2	d3	L	NR KAT.
13	4,5	33	M12	42	40	TUE-42040
					60	TUE-42060
					80	TUE-42080
					100	TUE-42100
					120	TUE-42120
					140	TUE-42140
					160	TUE-42160
					180	TUE-42180
					200	TUE-42200
					220	TUE-42220
					260	TUE-42260
					300	TUE-42300
13	4,5	43	M12	54	60	TUE-54060
					80	TUE-54080
					120	TUE-54120
					160	TUE-54160
					200	TUE-54200
					240	TUE-54240
					280	TUE-54280
26	4,5	54	M12	66	80	TUE-66080
					120	TUE-66120
					160	TUE-66160
					180	TUE-66180
					200	TUE-66200
					220	TUE-66220
					240	TUE-66240
					260	TUE-66260
					280	TUE-66280
					300	TUE-66300
					320	TUE-66320
					340	TUE-66340
					360	TUE-66360
380	TUE-66380					

Nóżka

Support bolt

NF

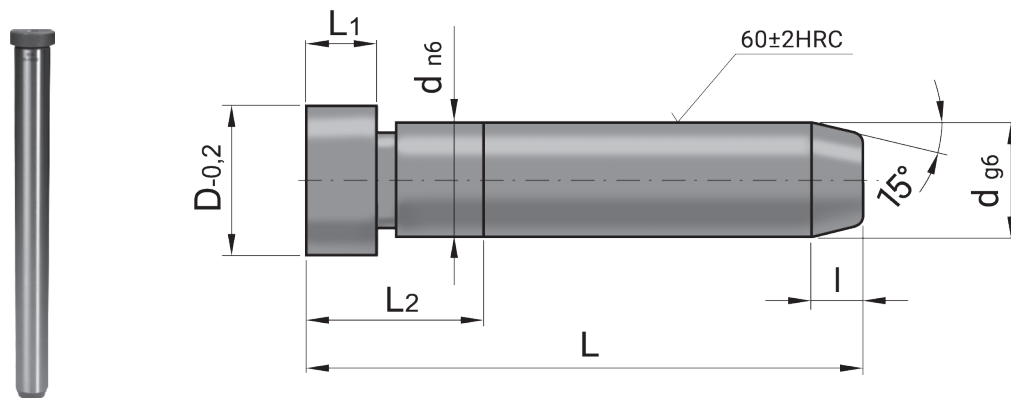


M	D	k	f	s	L	L1	n	NR KAT.
10	16	12	1	13	56	40	5	NF-10056
					96	80	15	NF-10096
12	20	12	1,6	17	70	50	5	NF-12070
					120	100	15	NF-12120
16	25	16	1,6	22	88	63	15	NF-16088
20	32	16	2,5	27	112	80	15	NF-20112

Słup skośny

Angle pin

SS



I	D	L1	L2	d	L	NR KAT.	
4	12	3	12	9	40	SS-09040	
					60	SS-09060	
					80	SS-09080	
					100	SS-09100	
					120	SS-09120	
				10	40	SS-10040	
					60	SS-10060	
					80	SS-10080	
					100	SS-10100	
					120	SS-10120	
7	16	6	17	12	40	SS-12040	
					60	SS-12060	
					80	SS-12080	
					100	SS-12100	
					120	SS-12120	
					140	SS-12140	
	18	8	22	14	160	SS-12160	
					60	SS-14060	
					80	SS-14080	
					100	SS-14100	
					120	SS-14120	
					140	SS-14140	
		20	8	22	15	160	SS-14160
						180	SS-14180
						60	SS-15060
						80	SS-15080
						100	SS-15100
						120	SS-15120
7	20	8	22	16	140	SS-15140	
					160	SS-15160	
					180	SS-15180	
					40	SS-16040	
					60	SS-16060	
				16	80	SS-16080	
					100	SS-16100	
					120	SS-16120	
					140	SS-16140	
					160	SS-16160	
7	20	8	22	16	180	SS-16180	
					200	SS-16200	

Słup skośny

Angle pin

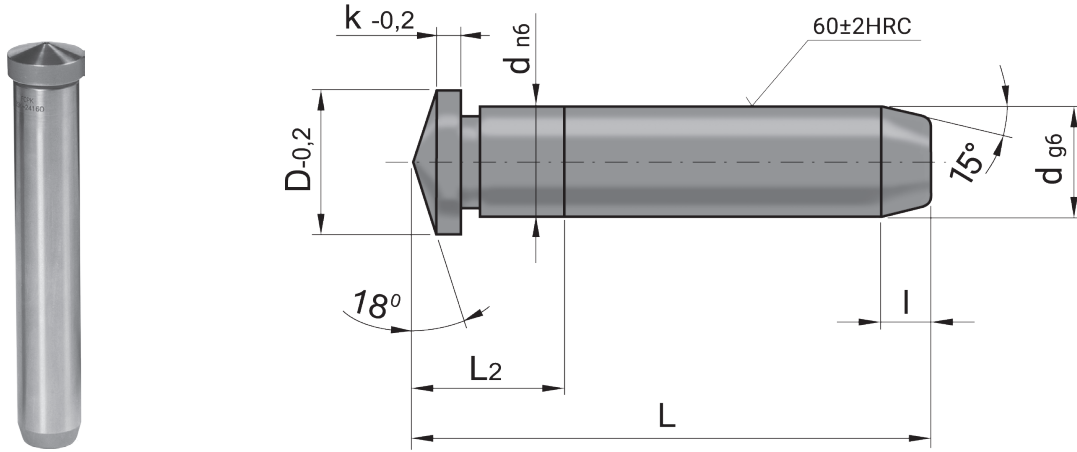
SS

I	D	L1	L2	d	L	NR KAT.
7	22	8	22	18	60	SS-18060
					80	SS-18080
					100	SS-18100
					120	SS-18120
					140	SS-18140
					160	SS-18160
					180	SS-18180
					200	SS-18200
	24	8	22	20	240	SS-18240
					60	SS-20060
					80	SS-20080
					100	SS-20100
					120	SS-20120
					140	SS-20140
					160	SS-20160
					180	SS-20180
	26	8	27	22	200	SS-20200
					240	SS-20240
					80	SS-22080
					100	SS-22100
					120	SS-22120
					140	SS-22140
					160	SS-22160
					180	SS-22180
					200	SS-22200
					220	SS-22220
					240	SS-22240
					300	SS-22300
	28	15	27	24	80	SS-24080
					100	SS-24100
					120	SS-24120
					140	SS-24140
					160	SS-24160
					180	SS-24180
					200	SS-24200
					220	SS-24220
240					SS-24240	
300					SS-24300	
36	15	36	30	100	SS-30100	
				120	SS-30120	
				160	SS-30160	
				200	SS-30200	
				240	SS-30240	
				300	SS-30300	
36	15	36	32	360	SS-30360	
				100	SS-32100	
				120	SS-32120	
				160	SS-32160	
				200	SS-32200	
				240	SS-32240	
10	48	46	40	300	SS-32300	
				360	SS-32360	
				160	SS-40160	
				200	SS-40200	
				240	SS-40240	
15	58	46	50	300	SS-40300	
				360	SS-40360	
				160	SS-50160	
				200	SS-50200	
				240	SS-50240	
					300	SS-50300
					360	SS-50360

Słup skośny z łbem stożkowym

Angle pin with tapered head

SSK



I	D	k	L2	d	L	NR KAT.
4	12	1,0	12	10	40	SSK-10040
					60	SSK-10060
					80	SSK-10080
					100	SSK-10100
					120	SSK-10120
7	16	3,4	17	12	60	SSK-12060
					80	SSK-12080
					100	SSK-12100
					120	SSK-12120
					140	SSK-12140
	18	5,1	22	14	60	SSK-14060
					80	SSK-14080
					100	SSK-14100
					120	SSK-14120
					140	SSK-14140
					160	SSK-14160
					180	SSK-14180
	20	4,8	16	60	SSK-16060	
				80	SSK-16080	
				100	SSK-16100	
				120	SSK-16120	
				140	SSK-16140	
				160	SSK-16160	
				180	SSK-16180	
22	4,4	18	60	SSK-18060		
			80	SSK-18080		
			100	SSK-18100		
			120	SSK-18120		
			140	SSK-18140		
			160	SSK-18160		
			180	SSK-18180		
			200	SSK-18200		
			240	SSK-18240		

Słup skośny z łbem stożkowym

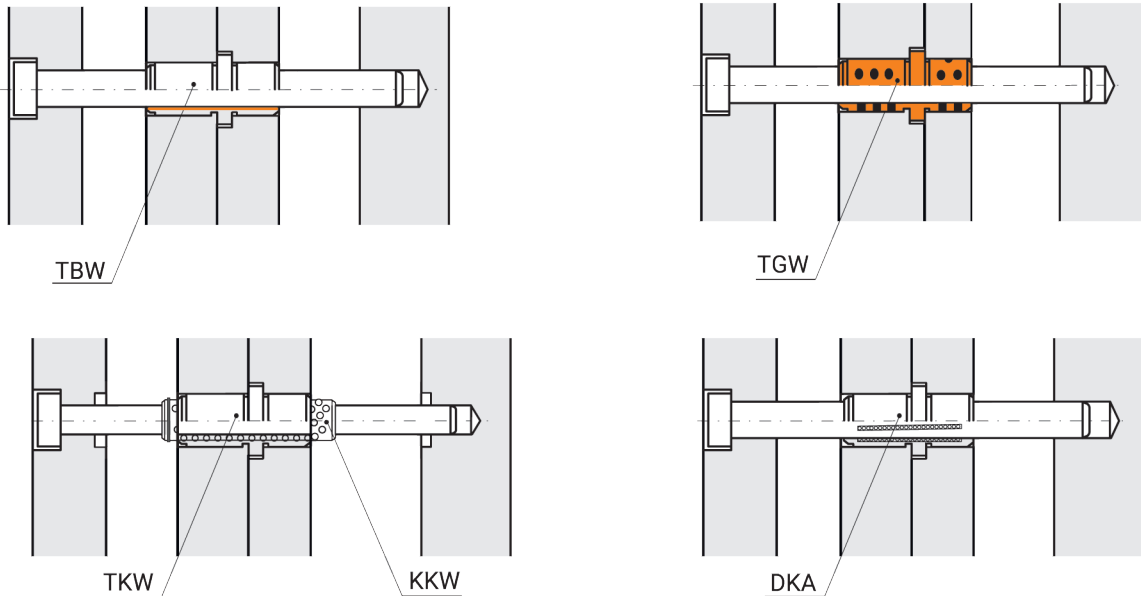
Angle pin with tapered head

SSK

I	D	L1	L2	d	L	NR KAT.
7	24	4,1	22	20	80	SSK-20080
					100	SSK-20100
					120	SSK-20120
					140	SSK-20140
					160	SSK-20160
					180	SSK-20180
					200	SSK-20200
					240	SSK-20240
	26	10,8	27	22	80	SSK-22080
					100	SSK-22100
					120	SSK-22120
					140	SSK-22140
					160	SSK-22160
					180	SSK-22180
					200	SSK-22200
					220	SSK-22220
					240	SSK-22240
					300	SSK-22300
	28	10,5	27	24	80	SSK-24080
					100	SSK-24100
					120	SSK-24120
					140	SSK-24140
					160	SSK-24160
					180	SSK-24180
					200	SSK-24200
					220	SSK-24220
					240	SSK-24240
					300	SSK-24300
	36	9,2	36	30	100	SSK-30100
					120	SSK-30120
					160	SSK-30160
					200	SSK-30200
					240	SSK-30240
					300	SSK-30300
					360	SSK-30360

Prowadzenie płyty wypychaczy

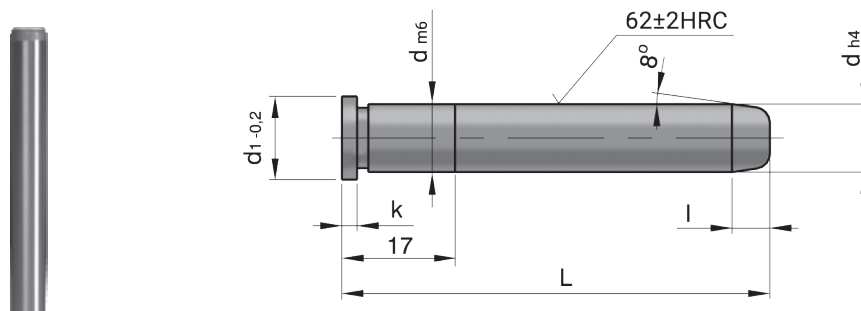
Ejection system



Słup prowadzący płyty wypychaczy

Ejector plate leader pin

SPW



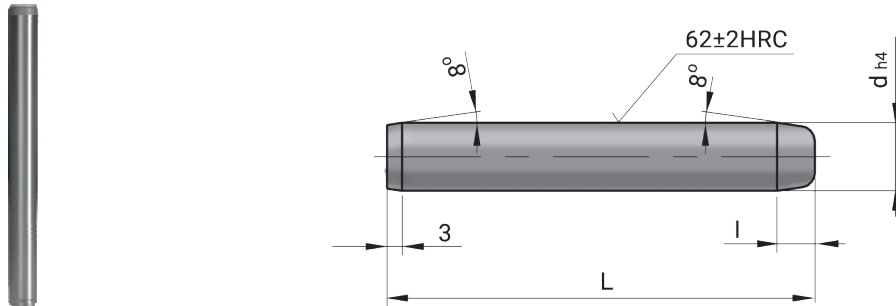
d	d1	l	k	NR KAT.						
				L=80	L=100	L=120	L=140	L=160	L=200	L=240
12	16	4	4	SPW-12080	SPW-12100	SPW-12120				
18	22	7	6			SPW-18120	SPW-18140	SPW-18160		
24	27	7	6				SPW-24140	SPW-24160	SPW-24200	
30	36	7	6					SPW-30160	SPW-30200	SPW-30240

Zastrzegamy sobie prawo do zmian bez uprzedzenia. Zawsze sprawdzaj aktualność katalogu na stronie www.proplastica.pl
We reserve the right to amend this catalogue without notice. Always check www.proplastica.pl for latest updates.

Słup prowadzący płyty wypychaczy

Ejector plate leader pin

KPE

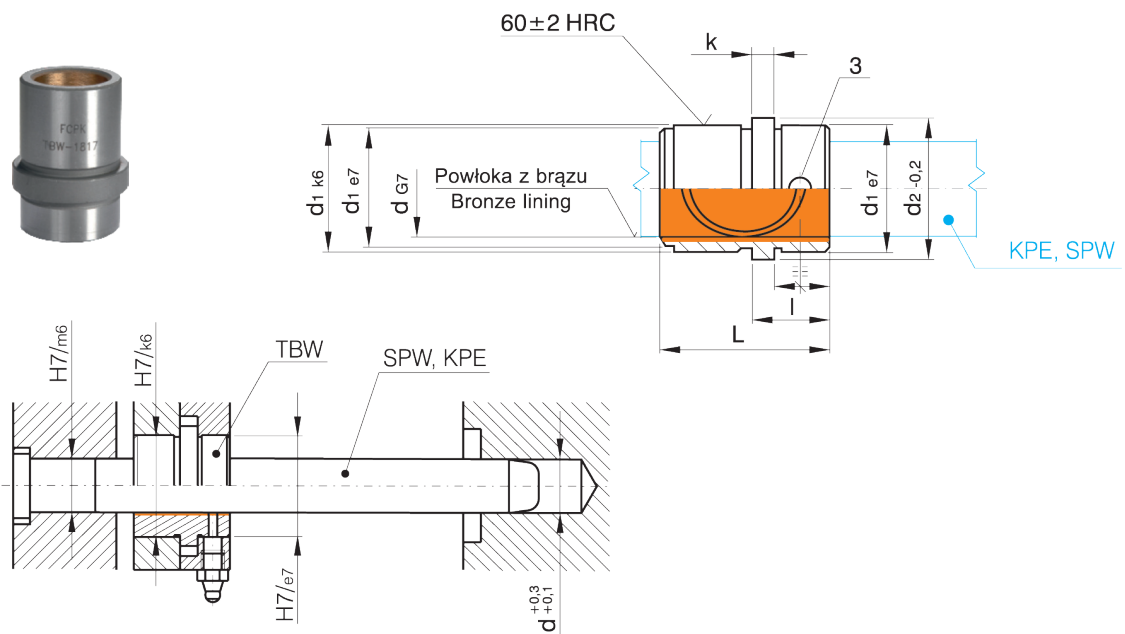


d	l	NR KAT.			
		L=100	L=125	L=160	L=240
12	6	KPE-12100	KPE-12125		
18	7		KPE-18125	KPE-18160	
30	7			KPE-30160	KPE-30240

Tuleja prowadząca płyty wypychaczy

Ejector plate guide bushing

TBW



d	d1	d2	K	NR KAT.				
				l=9 L=21	l=12 L=29	l=17 L=39	l=22 L=49	l=27 L=63
12	16	19	3	TBW-1209*	TBW-1212*			
18	26	30	6		TBW-1812	TBW-1817	TBW-1822	
30	42	46	6			TBW-3017	TBW-3022	TBW-3027

* cała z brązu aluminiumowego / * All aluminium bronze

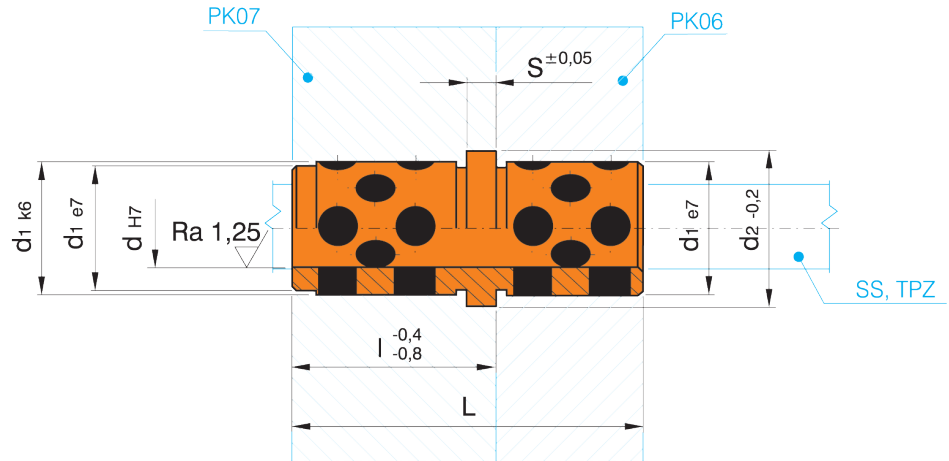
Tuleja prowadząca płyty wypychaczy – samosmarująca

Self-lubricating ejector plate guide bushing

TGW



Mat: Brąz aluminiowy + grafit
Aluminium bronze + graphite



d	d1	d2	s	l	L	NR KAT.	NR KAT.
14/15	20	25	6	17	26	TGW-14017	TGW-15017
18/20	26	31		22	39	TGW-18022	TGW-20022
22/24	30	35		27	49	TGW-22027	TGW-24027
30/32	42	47		36	63	TGW-30036	TGW-32036

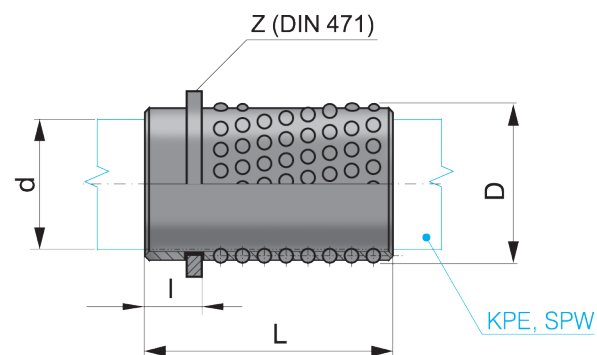
Koszyk kulkowy

Ball bearing cage

KKW



Mat: Koszyk – aluminium
Kulki – stal hartowana
Ball cage – aluminium
Balls – hardened steel



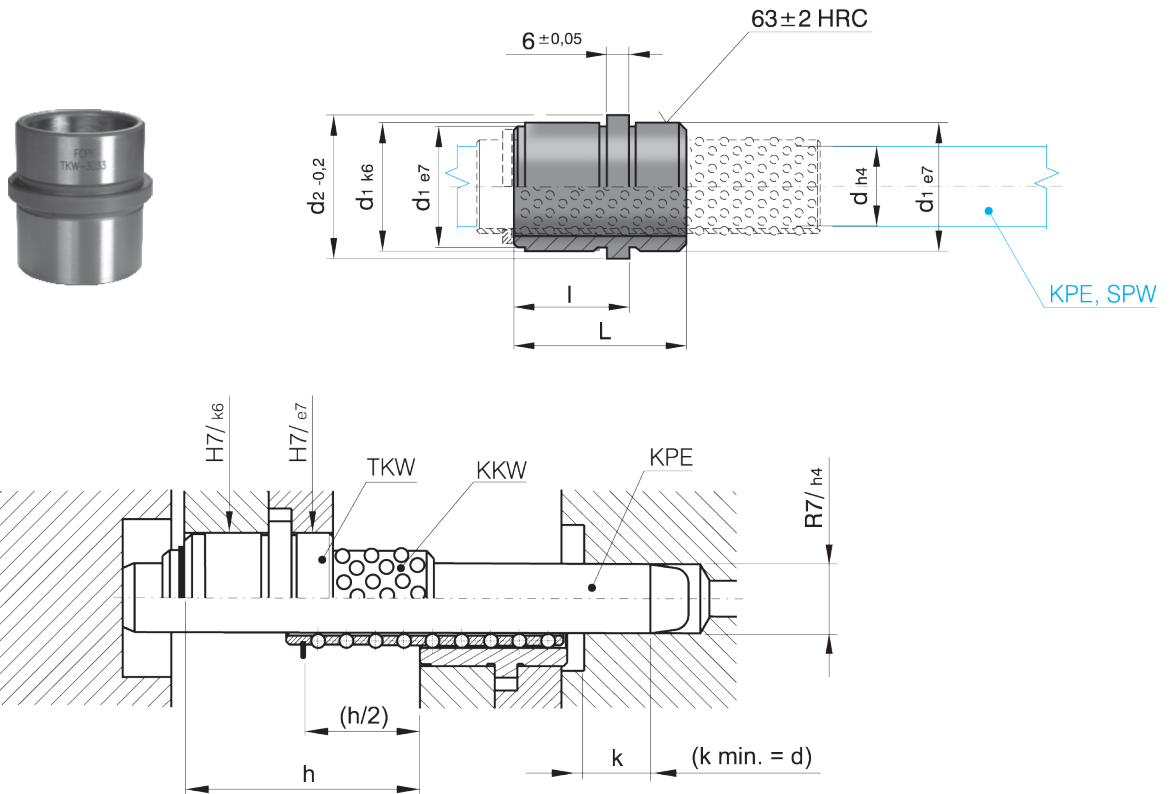
d	D	l	Z	NR KAT.					
				L=40	L=45	L=56	L=71	L=75	L=95
12	17	2,1	Z16	KKW-1240		KKW-1256			
18	24	3,0	Z22		KKW-1845	KKW-1856	KKW-1871		
30	38	4,8	Z36			KKW-3056		KKW-3075	KKW-3095

Zastrzegamy sobie prawo do zmian bez uprzedzenia. Zawsze sprawdzaj aktualność katalogu na stronie www.proplastica.pl
We reserve the right to amend this catalogue without notice. Always check www.proplastica.pl for latest updates.

Tuleja prowadząca płyty wypychaczy - do prowadzenia kulkowego

Ejector plate guide bushing – for ball bearing

TKW

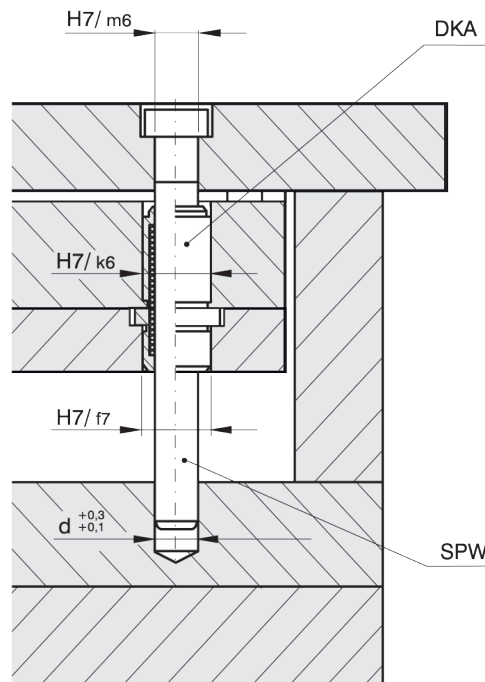
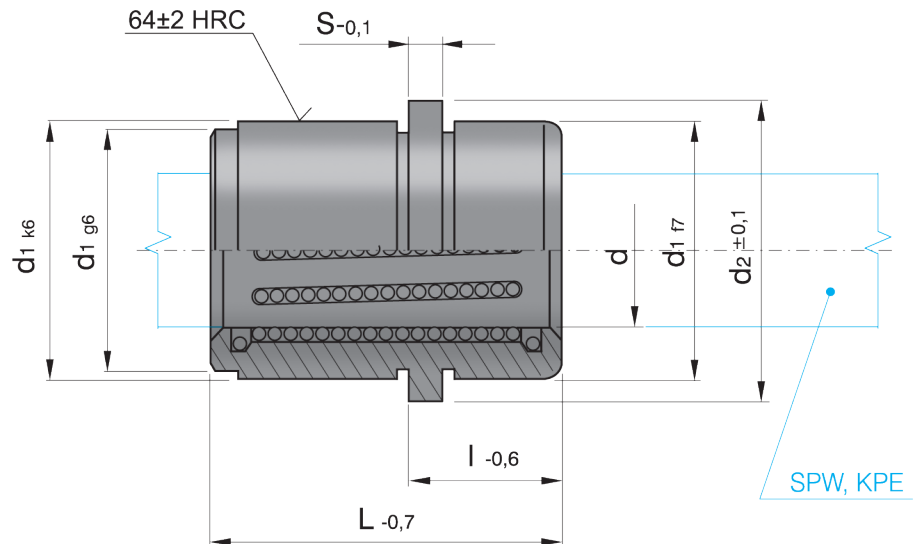


dNOM	d1	d1	L	NR KAT.		
				l=18	l=23	l=33
12	22	26	24	TKW-1218		
18	30	35	34		TKW-1823	
30	46	52	54			TKW-3033

Tuleja z rotacyjnym systemem kulkowym

Recirculating ball bushing

DKA



Mat: Tulejka – stal
Koszyk – mosiądz
Kulki – stal hartowana
 Bushing – steel
 Cage – brass
 Balls – hardened steel

d	d1	d2	s	l	L	NR KAT.
12	22	26	6	12	26	DKA-1226
18	30	35	6	17	35	DKA-1835
24	38	43	6	22	45	DKA-2445
30	46	52	6	27	55	DKA-3055

Zastrzegamy sobie prawo do zmian bez uprzedzenia. Zawsze sprawdzaj aktualność katalogu na stronie www.proplastica.pl
 We reserve the right to amend this catalogue without notice. Always check www.proplastica.pl for latest updates.

Płytki samosmarująca

Wear plate self-lubricating

PFA



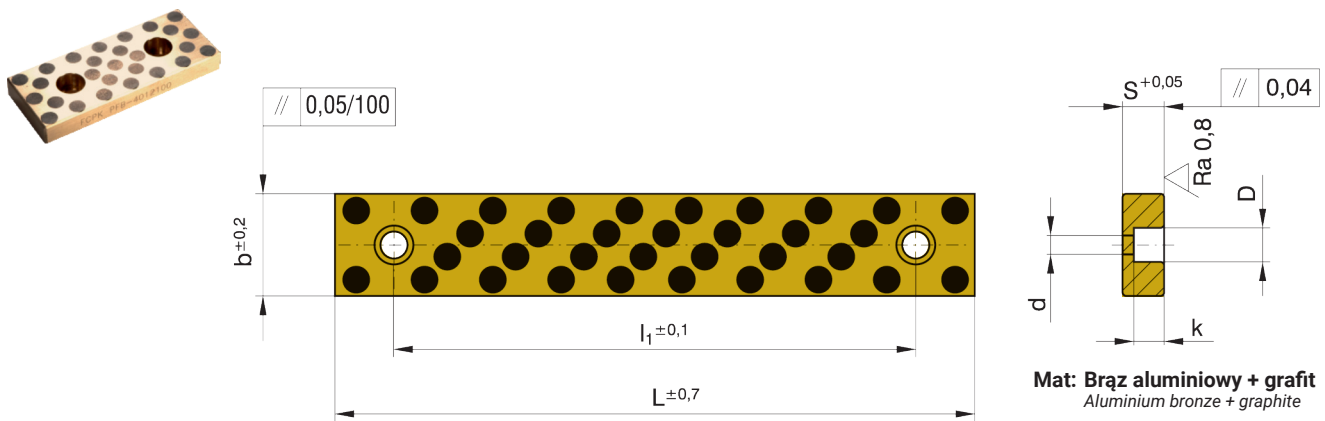
Mat: Brąz aluminiowy + grafit
Aluminium bronze + graphite

b	s	L	NR KAT.
30	8	500	PFA-3008500
50	10	500	PFA-5010500
80	12	500	PFA-8012500

Płytki samosmarująca

Wear plate self-lubricating

PFB



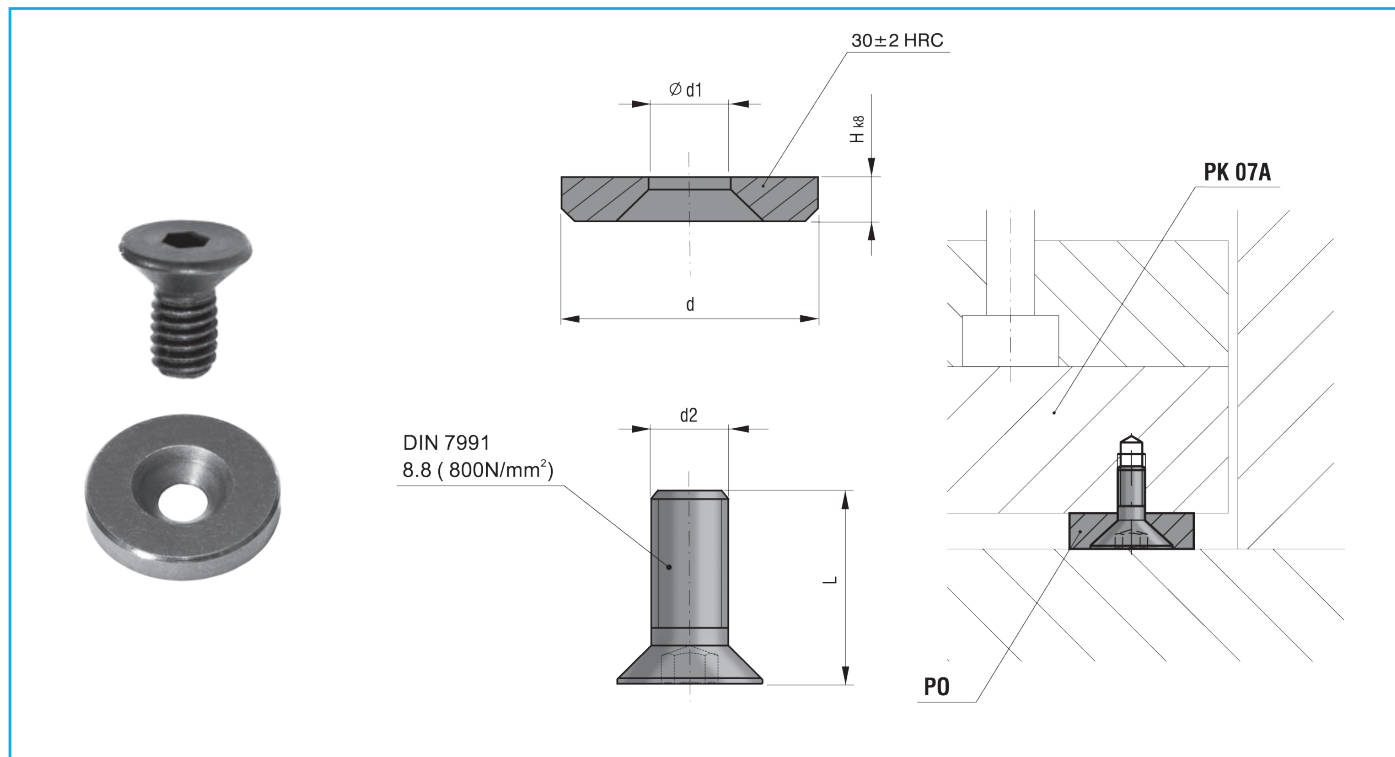
Mat: Brąz aluminiowy + grafit
Aluminium bronze + graphite

s	b	k	d	D	L				
					50	75	100	150	
					l1				
					30	45	50	100	
					NR KAT.				
8	20	5.7	5.5	9.5	PFB-2008050	PFB-2008075			
10	20	6.8	6.6	11		PFB-2010075	PFB-2010100		
	30				PFB-3010075	PFB-3010100			
12	40	9	9	14		PFB-4012075	PFB-4012100	PFB-4012150	
	50				PFB-5012075	PFB-5012100	PFB-5012150		

Podkładka oporowa

Support washer

PO

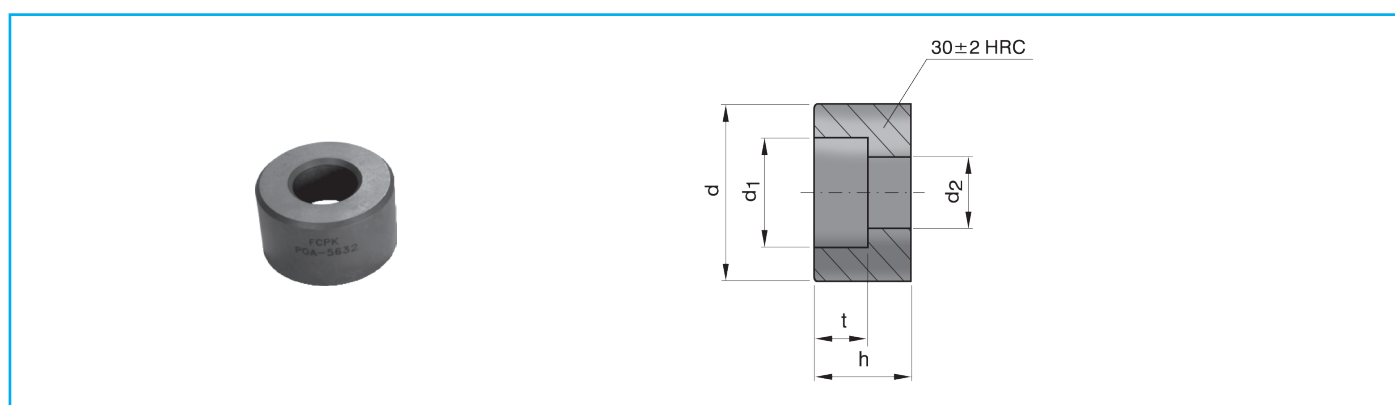


NR KAT.	d	d1	H	d2	L	DIN7991
PO-1803	18	4,3	3	M4	8	M4x8
PO -2803	28					
PO -2004	20	5,3	4	M5	10	M5x10
PO -3004	30					

Podkładka oporowa

Support washer

POA

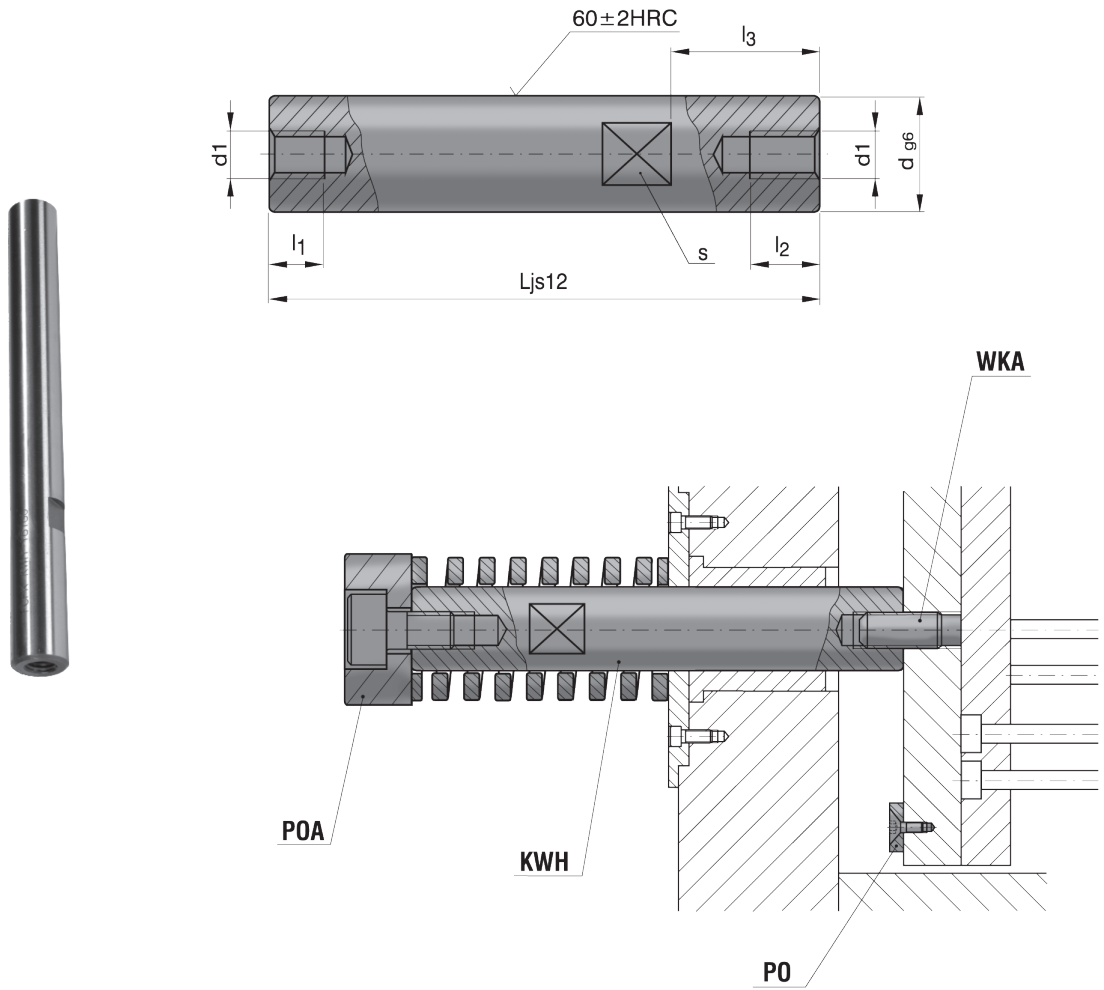


d	d1	d2	t	h	NR KAT.
15	11	6,6	8,4	10	POA-1510
22	14,5	9	11	14	POA-2214
36	17,5	11	13,5	20	POA-3620
46	20	14	15,5	25	POA-4625
56	26	18	21	32	POA-5632

Sworzeń płyty wypychaczy

Ejector rod

KWH



d	d1	s	l1	l2	l3	L	NR KAT.
10	M6	9	9	16	20	60	KWH-10060
						70	KWH-10070
						80	KWH-10080
						100	KWH-10100
						120	KWH-10120
						140	KWH-10140
14	M8	12	11	16	25	60	KWH-14060
						70	KWH-14070
						80	KWH-14080
						100	KWH-14100
						120	KWH-14120
						140	KWH-14140
						160	KWH-14160
18	M10	14	12	20	45	100	KWH-18100
						120	KWH-18120
						140	KWH-18140
						160	KWH-18160
						180	KWH-18180
						200	KWH-18200
						220	KWH-18220
						240	KWH-18240

Sworzeń płyty wypychaczy

Ejector rod

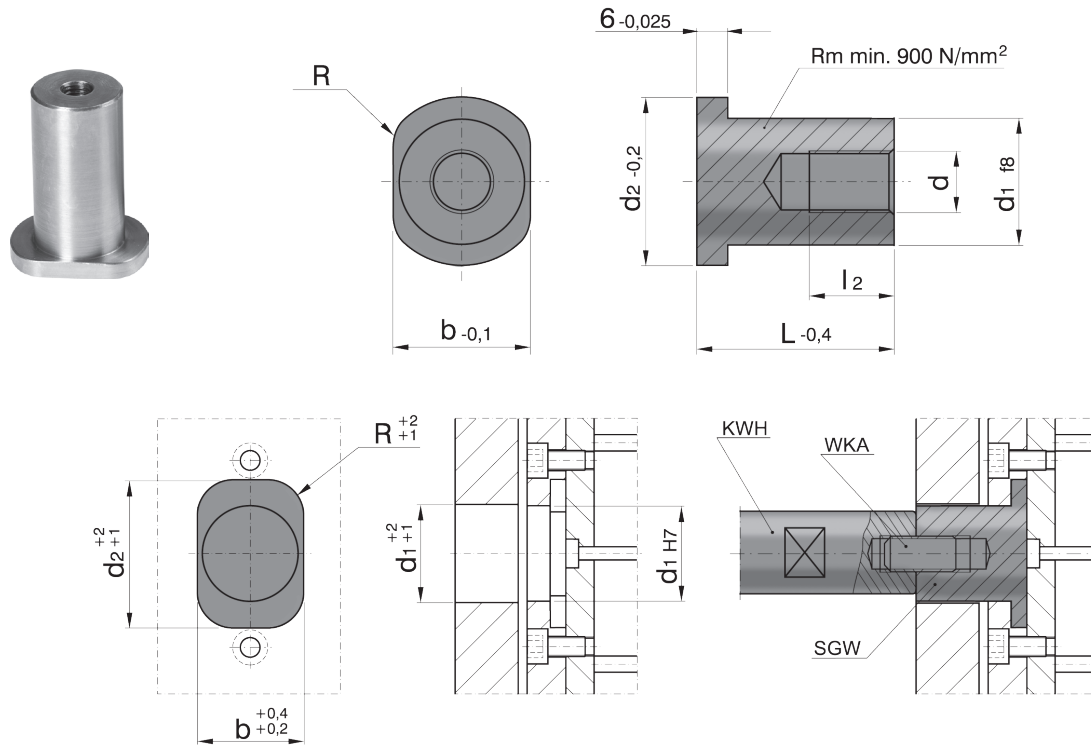
KWH

d	d1	s	l1	l2	l3	L	NR KAT.
20	M12	16	14	25	45	100	KWH-20100
						120	KWH-20120
						140	KWH-20140
						160	KWH-20160
						180	KWH-20180
						200	KWH-20200
						220	KWH-20220
						240	KWH-20240
24	M12	19	14	25	50	120	KWH-24120
						140	KWH-24140
						160	KWH-24160
						180	KWH-24180
						200	KWH-24200
						240	KWH-24240
30	M16	24	16	30	56	180	KWH-30180
						220	KWH-30220
						260	KWH-30260
						300	KWH-30300

Sworzeń płyty wypychaczy

Threaded insert for ejector plate

SGW

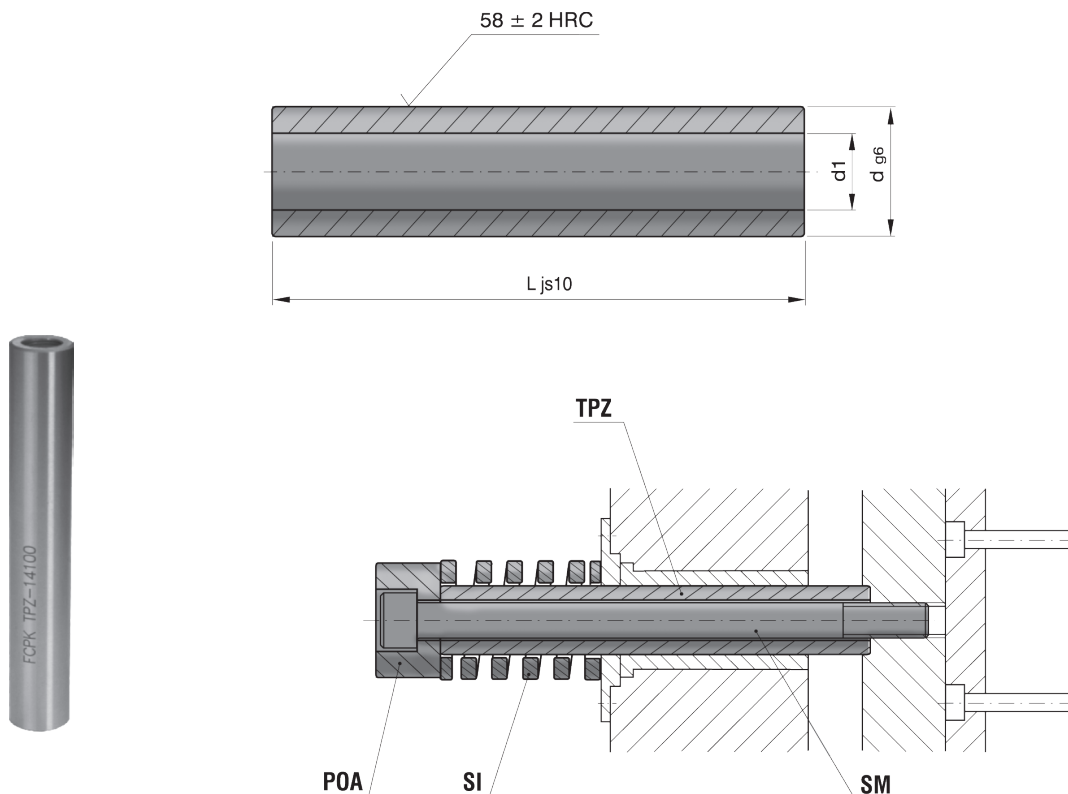


b	R	d2	d1	l2	d	L	NR KAT.				
24	8	36	20	12	M6	37	SGW-0637				
						42	SGW-0642				
				16	M8	37	SGW-0837				
						42	SGW-0842				
						47	SGW-0847				
						52	SGW-0852				
34	11	46	30	20	M10	47	SGW-1047				
						52	SGW-1052				
						56	SGW-1056				
						61	SGW-1061				
						56	SGW-1256				
				24	M12	61	SGW-1261				
						66	SGW-1266				
						71	SGW-1271				
						75	SGW-1275				
						61	SGW-1661				
				32	M16	30	30	40	M20	66	SGW-1666
										71	SGW-1671
										75	SGW-1675
										85	SGW-1685
										95	SGW-1695
46		56	40	40	M20	61	SGW-2061				
						66	SGW-2066				
						71	SGW-2071				
						75	SGW-2075				
						85	SGW-2085				
						95	SGW-2095				

Tuleja prowadząca

Tube dowel

TPZ



d	d1	L	NR KAT.
10	6,2	20	TPZ-10020
		30	TPZ-10030
		40	TPZ-10040
		50	TPZ-10050
		60	TPZ-10060
		70	TPZ-10070
		80	TPZ-10080
		100	TPZ-10100
		120	TPZ-10120
		140	TPZ-10140
14	8,3	30	TPZ-14030
		40	TPZ-14040
		50	TPZ-14050
		60	TPZ-14060
		70	TPZ-14070
		80	TPZ-14080
		100	TPZ-14100
		120	TPZ-14120
		140	TPZ-14140
		160	TPZ-14160
180	TPZ-14180		

Sworzeń płyty wypychaczy

Threaded insert for ejector plate

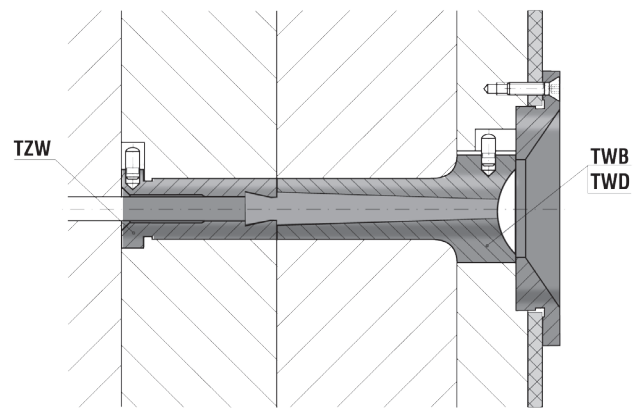
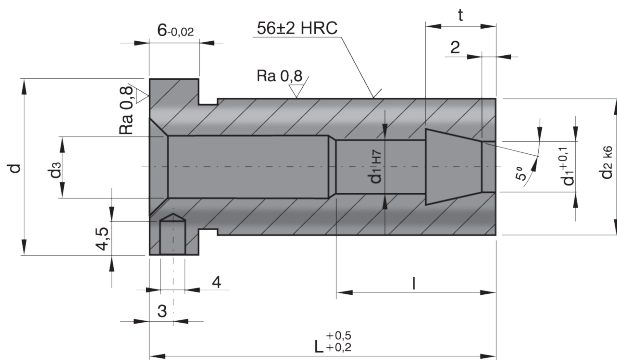
TPZ

d	d1	L	NR KAT.
18	10,4	40	TPZ-18040
		60	TPZ-18060
		80	TPZ-18080
		100	TPZ-18100
		120	TPZ-18120
		140	TPZ-18140
		160	TPZ-18160
		180	TPZ-18180
		200	TPZ-18200
		220	TPZ-18220
		240	TPZ-18240
24	12,5	60	TPZ-24060
		80	TPZ-24080
		100	TPZ-24100
		120	TPZ-24120
		140	TPZ-24140
		160	TPZ-24160
		180	TPZ-24180
		200	TPZ-24200
30	16,5	80	TPZ-30080
		100	TPZ-30100
		120	TPZ-30120
		140	TPZ-30140
		160	TPZ-30160
		180	TPZ-30180
		220	TPZ-30220
		260	TPZ-30260
		300	TPZ-30300

Tulejowy zbierak wlewka

Sprue pullers bushing

TZW

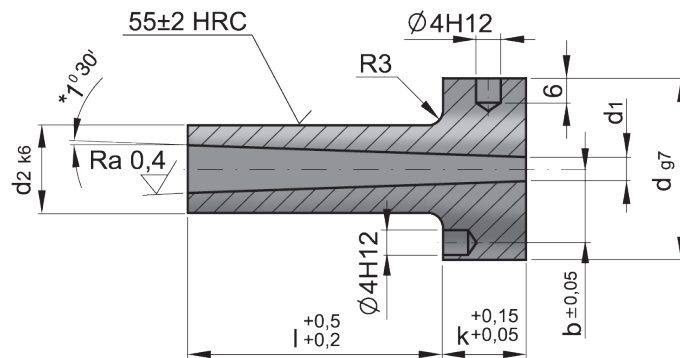


d2	d3	d	d1	t	l	L	NR KAT.
12	4,5	16	4	7	18	22	TZW-1222
						27	TZW-1227
						36	TZW-1236
						46	TZW-1246
						56	TZW-1256
18	6,5	22	6		22	22	TZW-1822
					27	27	TZW-1827
					28	36	TZW-1836
						46	TZW-1846
						56	TZW-1856
				66		TZW-1866	
				76		TZW-1876	
24	8,5	28	8	9,5	36	TZW-2436	
					46	TZW-2446	
					56	TZW-2456	
					66	TZW-2466	
					76	TZW-2476	
					86	TZW-2486	
					96	TZW-2496	

Tuleja wtryskowa

Sprue bushing

TWA



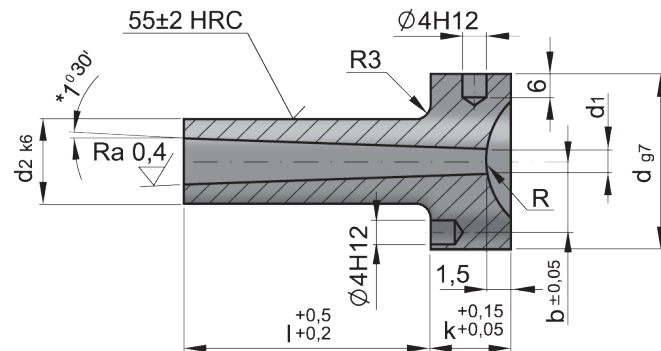
Na życzenie oferujemy tuleje z kątem 0,5°
Hole inclination 0,5° on request

d2	d	k	b	d1	l	NR KAT.
18	38	18	15	3,5	27	TWA-183527
					36	TWA-183536
					46	TWA-183546
					56	TWA-183556
				4,5	27	TWA-184527
					36	TWA-184536
					46	TWA-184546
					56	TWA-184556
24	48	23	20	4,5	76	TWA-184576
					46	TWA-244546
					56	TWA-244556
24	48	23	20	6,5	76	TWA-244576
					56	TWA-246556
					76	TWA-246576

Tuleja wtryskowa

Sprue bushing

TWB



Na życzenie oferujemy tuleje z kątem 0,5°
Hole inclination 0,5° on request

R=15,5

d2	d	k	b	d1	l	NR KAT.
18	38	18	15	3,5	27	TWB-183527-15,5
					36	TWB-183536-15,5
					46	TWB-183546-15,5
					56	TWB-183556-15,5
				4,5	27	TWB-184527-15,5
					36	TWB-184536-15,5
					46	TWB-184546-15,5
					56	TWB-184556-15,5
24	48	23	20	4,5	76	TWB-184576-15,5
					46	TWB-244546-15,5
				6,5	56	TWB-244556-15,5
					76	TWB-246576-15,5

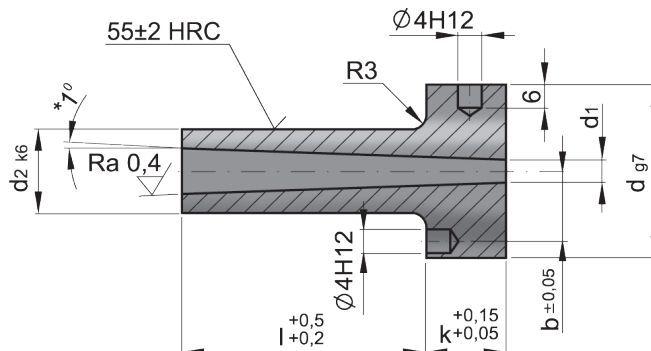
R=40

d2	d	k	b	d1	l	NR KAT.
18	38	18	15	3,5	27	TWB-183527-40
					36	TWB-183536-40
					46	TWB-183546-40
					56	TWB-183556-40
				4,5	27	TWB-184527-40
					36	TWB-184536-40
					46	TWB-184546-40
					56	TWB-184556-40
24	48	23	20	4,5	76	TWB-184576-40
					46	TWB-244546-40
				6,5	56	TWB-244556-40
					76	TWB-246576-40

Tuleja wtryskowa

Sprue bushing

TWC



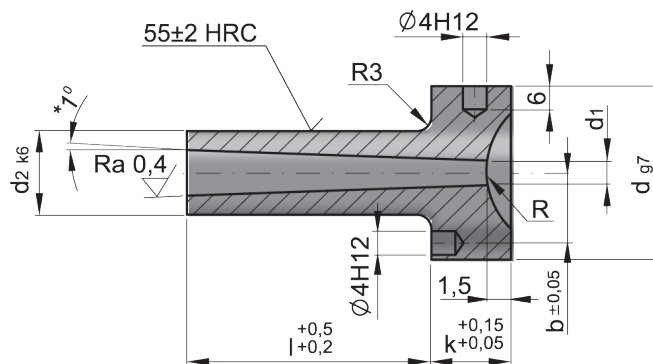
Na życzenie oferujemy tuleje z kątem 0,5°
Hole inclination 0,5° on request

d2	d	k	b	d1	l	NR KAT.
12	28	13	11	2,5	22	TWC-122522
					27	TWC-122527
					36	TWC-122536
					46	TWC-122546
				3,5	22	TWC-123522
					27	TWC-123527
					36	TWC-123536
					46	TWC-123546
					56	TWC-123556
					18	38
36	TWC-183036					
46	TWC-183046					
56	TWC-183056					
76	TWC-183076					
96	TWC-183096					
116	TWC-1830116					
4	27	TWC-184027				
	36	TWC-184036				
	46	TWC-184046				
	56	TWC-184056				
	76	TWC-184076				
	96	TWC-184096				
	116	TWC-1840116				

Tuleja wtryskowa

Sprue bushing

TWD



Na życzenie oferujemy tuleje z kątem 0,5°
Hole inclination 0,5° on request

R=15,5

d2	d	k	b	d1	l	NR KAT.
12	28	13	11	2,5	22	TWD-122522-15,5
					27	TWD-122527-15,5
					36	TWD-122536-15,5
					46	TWD-122546-15,5
				3,5	22	TWD-123522-15,5
					27	TWD-123527-15,5
					36	TWD-123536-15,5
					46	TWD-123546-15,5
18	38	18	15	3	56	TWD-123556-15,5
					27	TWD-183027-15,5
					36	TWD-183036-15,5
					46	TWD-183046-15,5
					56	TWD-183056-15,5
					76	TWD-183076-15,5
				4	96	TWD-183096-15,5
					116	TWD-1830116-15,5
					27	TWD-184027-15,5
					36	TWD-184036-15,5
					46	TWD-184046-15,5
					56	TWD-184056-15,5
					76	TWD-184076-15,5
					96	TWD-184096-15,5
					116	TWD-1840116-15,5

Tuleja wtryskowa

Sprue bushing

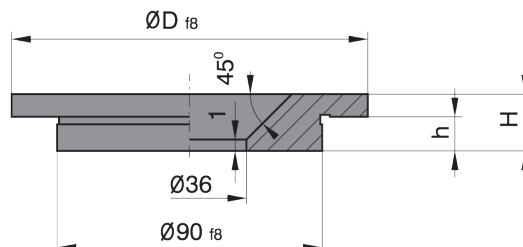
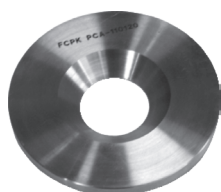
TWD

R=40						
d2	d	k	b	d1	l	NR KAT.
12	28	13	11	2,5	22	TWD-122522-40
					27	TWD-122527-40
					36	TWD-122536-40
					46	TWD-122546-40
				3,5	22	TWD-123522-40
					27	TWD-123527-40
					36	TWD-123536-40
					46	TWD-123546-40
					56	TWD-123556-40
					27	TWD-183027-40
18	38	18	15	3	36	TWD-183036-40
					46	TWD-183046-40
					56	TWD-183056-40
					76	TWD-183076-40
					96	TWD-183096-40
					116	TWD-1830116-40
					27	TWD-184027-40
				4	36	TWD-184036-40
					46	TWD-184046-40
					56	TWD-184056-40
					76	TWD-184076-40
					96	TWD-184096-40
					116	TWD-1840116-40
					116	TWD-1840116-40

Pierścień centrujący

Locating ring

PCA



h	D	H	NR KAT.
4	100	8	PCA-100080
7		11	PCA-100110
9		13	PCA-100130
11		15	PCA-100150
12.5		16.5	PCA-100165
4	110	8	PCA-110080
7		11	PCA-110110
4		12	PCA-110120
9		13	PCA-110130
11		15	PCA-110150
12.5		16.5	PCA-110165
4	120	8	PCA-120080
7		11	PCA-120110
4		12	PCA-120120
9		13	PCA-120130
11		15	PCA-120150
12.5		16.5	PCA-120165
4	125	8	PCA-125080
7		11	PCA-125110
4		12	PCA-125120
9		13	PCA-125130
11		15	PCA-125150
12.5		16.5	PCA-125165

Pierścień centrujący

Locating ring

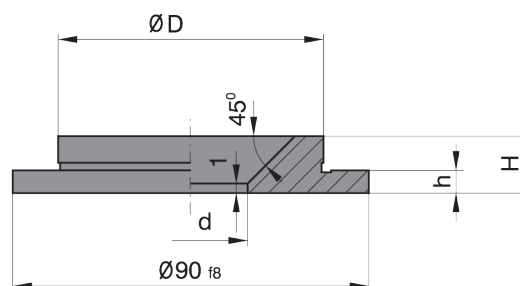
PCA

h	D	H	NR KAT.
4	130	12	PCA-130120
	140		PCA-140120
	150		PCA-150120
7	160	8	PCA-160080
4		11	PCA-160110
4		12	PCA-160120
9		13	PCA-160130
11		15	PCA-160150
12.5		16.5	PCA-160165
4		175	8
7	11		PCA-175110
4	12		PCA-175120
9	13		PCA-175130
11	15		PCA-175150
12.5	16.5		PCA-175165
4	180		12
	200	PCA-200120	
	250	PCA-250120	

Pierścień centrujący

Locating ring

PCA

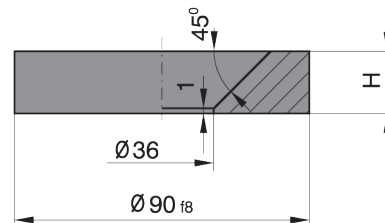


d	h	D	H	NR KAT.
36	4	60	8	PCA-060080
26	7		11	PCA-060110
	9		13	PCA-060130
36	4	80	8	PCA-080080
26	7		11	PCA-080110
	9		13	PCA-080130

Pierścień centrujący

Locating ring

PCA

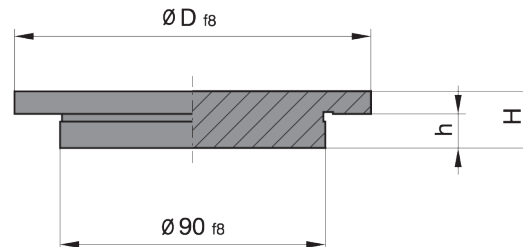


H	NR KAT.
8	PCA-090080
11	PCA-090110
13	PCA-090130
15	PCA-090150
16.5	PCA-090165

Pierścień centrujący

Locating ring

PCB



h	D	H	NR KAT.	
4	100	8	PCB-100080	
7		11	PCB-100110	
9		13	PCB-100130	
11		15	PCB-100150	
12.5		16.5	PCB-100165	
4		110	8	PCB-110080
7	11		PCB-110110	
4	12		PCB-110120	
9	13		PCB-110130	
11	15		PCB-110150	
12.5	16.5		PCB-110165	
4	120	8	PCB-120080	
7		11	PCB-120110	
4		12	PCB-120120	
9		13	PCB-120130	
11		15	PCB-120150	
12.5		16.5	PCB-120165	
4	125	8	PCB-125080	
7		11	PCB-125110	
4		12	PCB-125120	
9		13	PCB-125130	
11		15	PCB-125150	
12.5		16.5	PCB-125165	
4	140	8	PCB-140080	
	150		PCB-150080	
7	160	11	PCB-160110	
4		12	PCB-160120	
9		13	PCB-160130	
11		15	PCB-160150	
12.5			16.5	PCB-160165

Pierścień centrujący

Locating ring

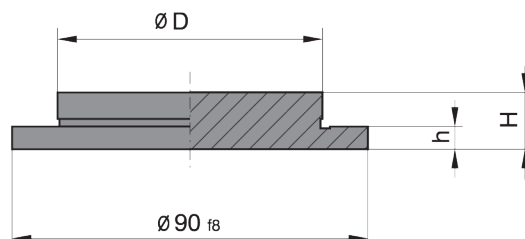
PCB

h	D	H	NR KAT.
4	175	8	PCB-175080
7		11	PCB-175110
4		12	PCB-175120
9		13	PCB-175130
11		15	PCB-175150
12.5		16.5	PCB-175165
4		200	12
	250	PCB-250120	

Pierścień centrujący

Locating rings

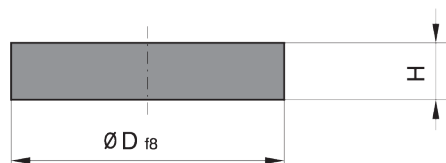
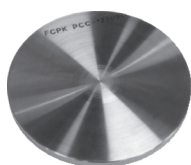
PCB



h	D	H	NR KAT.
4	60	8	PCB-060080
7		11	PCB-060110
9		13	PCB-060130
4	80	8	PCB-080080
7		11	PCB-080110
9		13	PCB-080130

Pierścień centrujący

Locating rings

PCC


D	H	NR KAT.
40	6	PCC-040060
	9	PCC-040090
60	8	PCC-060080
	11	PCC-060110
	13	PCC-060130
80	8	PCC-080080
	11	PCC-080110
	13	PCC-080130
90	8	PCC-090080
	11	PCC-090110
	13	PCC-090130
	15	PCC-090150
100	16.5	PCC-090165
	8	PCC-100080
110	8	PCC-110080
	12	PCC-110120
120	8	PCC-120080
	12	PCC-120120
125	8	PCC-125080
		PCC-125120
130	12	PCC-130120
140		PCC-140120
150	8	PCC-150080
	12	PCC-150120
160	8	PCC-160080
	12	PCC-160120
175	8	PCC-175080
	12	PCC-175120
200	8	PCC-200080
		PCC-200120
250	12	PCC-250120